

The cover features a white background with several overlapping, semi-transparent images. At the top, there is a close-up of interlocking grey gears. Below this, a large green-tinted image shows industrial machinery, including what appears to be a motor or drive unit. The text is overlaid on the green machinery image. At the bottom right, there is a logo consisting of a green gear icon and the letters 'MTD' in a bold, black, sans-serif font, with the words 'METAL DRIVES' in a smaller font below it.

HANGZHOU METAL DRIVES MACHINERY CO., LTD.

Company Brochure

Rev. 2023



Contents

- 002-011**
Conveyor Chains
- 012-015**
Transmission Chains
- 016-025**
Agricultural Chains
- 026-030**
Stainless Steel Chains
- 031-036**
Sprockets
- 037**
Gears, Racks And Others
- 038-042**
Technical Support

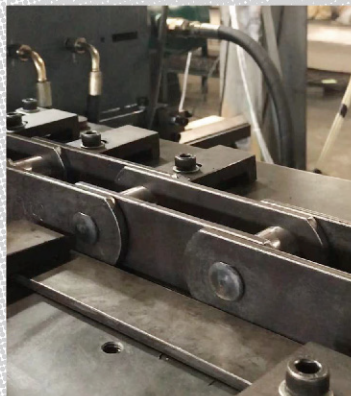
About **Metal Drives**

Hangzhou Metal Drives Machinery Co., Ltd., with its brand MTD, is the specialist in Power Transmission Industry. Ever since founded, MTD has been keeping striving to improve product performance and provide ever-more innovative solutions for both traditional and non-traditional applications alike.

With the support from strong engineering capabilities and reliable human resources, MTD serves world-wide customers with excellent products for wide range of industries, such as agriculture, metallurgy, road construction, food and beverage, processing etc.

In addition to the standard power transmission products which are popular in the market, MTD is also specialized in new product development as per customers' specific needs.

With customers' trust, MTD is now widely marketed at home and abroad, of which we have gained remarkable international reputation. Also it motivates our MTD Team to strive for further development to return our customers & society with sincere service, innovative technology and excellent products.





Conveyor Chains

DIN 8165 FV

DIN 8165 FV **A Style**



DIN 8165 FV **B Style**



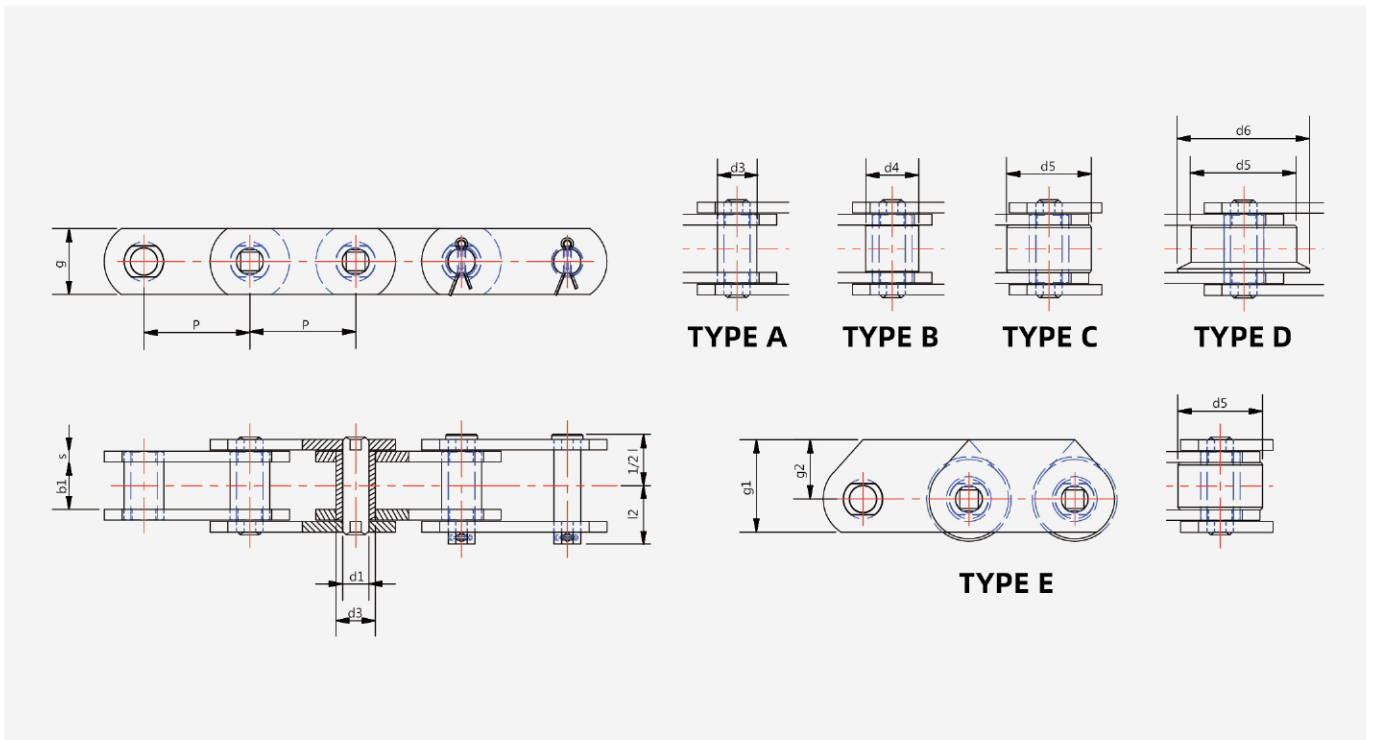
DIN 8165 FV **C Style**



DIN 8165 FV **D Style**



DIN 8165 FV **E Style**



| Chain No. | Pitch p [mm] | Breaking load [kN] | Breaking load* [kN] | Average weight (bush type) [kg/m] | Over-All pin & cotter l [mm] | Over-All pin & cotter l2 [mm] | Small roller d4 [mm] | Large roller d5 [mm] | Flange roller d5 [mm] | Flange roller d6 [mm] | Flange roller thickness t [mm] | Bushings diameter d3 [mm] | Between sidebars b1 [mm] | Sideplate thickness s [mm] | Sideplate height g [mm] | Sideplate height g1 [mm] | Sideplate height g2 [mm] | Pin d1 [mm] |
|-----------|--------------|--------------------|---------------------|-----------------------------------|------------------------------|-------------------------------|----------------------|----------------------|-----------------------|-----------------------|--------------------------------|---------------------------|--------------------------|----------------------------|-------------------------|--------------------------|--------------------------|-------------|
| FV40 | 50 | 42 | 47 | 2.24 | 36 | 21 | 20 | 32 | 40 | 50 | 4 | 15 | 18 | 3 | 25 | 35 | 22 | 10 |
| FV40 | 63 | 42 | 47 | 2.08 | 36 | 21 | 20 | 32 | 40 | 50 | 4 | 15 | 18 | 3 | 25 | 35 | 22 | 10 |
| FV40 | 80 | 42 | 47 | 1.92 | 36 | 21 | 20 | 32 | 40 | 50 | 4 | 15 | 18 | 3 | 25 | 35 | 22 | 10 |
| FV40 | 100 | 42 | 47 | 1.76 | 36 | 21 | 20 | 32 | 40 | 50 | 4 | 15 | 18 | 3 | 25 | 35 | 22 | 10 |
| FV40 | 125 | 42 | 47 | 1.60 | 36 | 21 | 20 | 32 | 40 | 50 | 4 | 15 | 18 | 3 | 25 | 35 | 22 | 10 |
| FV63 | 63 | 64 | 75 | 3.46 | 45 | 26 | 26 | 40 | 50 | 63 | 5 | 18 | 22 | 4 | 30 | 40 | 25 | 12 |
| FV63 | 80 | 64 | 75 | 3.73 | 45 | 26 | 26 | 40 | 50 | 63 | 5 | 18 | 22 | 4 | 30 | 40 | 25 | 12 |
| FV63 | 100 | 64 | 75 | 2.92 | 45 | 26 | 26 | 40 | 50 | 63 | 5 | 18 | 22 | 4 | 30 | 40 | 25 | 12 |
| FV63 | 125 | 64 | 75 | 2.67 | 45 | 26 | 26 | 40 | 50 | 63 | 5 | 18 | 22 | 4 | 30 | 40 | 25 | 12 |
| FV63 | 260 | 64 | 75 | 2.45 | 45 | 26 | 26 | 40 | 50 | 63 | 5 | 18 | 22 | 4 | 30 | 40 | 25 | 12 |
| FV90 | 63 | 100 | 115 | 5.72 | 53 | 30 | 30 | 48 | 63 | 78 | 6.5 | 20 | 25 | 5 | 35 | 45 | 27.5 | 14 |
| FV90 | 80 | 100 | 115 | 5.20 | 53 | 30 | 30 | 48 | 63 | 78 | 6.5 | 20 | 25 | 5 | 35 | 45 | 27.5 | 14 |
| FV90 | 100 | 100 | 115 | 4.67 | 53 | 30 | 30 | 48 | 63 | 78 | 6.5 | 20 | 25 | 5 | 35 | 45 | 27.5 | 14 |
| FV90 | 125 | 100 | 115 | 4.35 | 53 | 30 | 30 | 48 | 63 | 78 | 6.5 | 20 | 25 | 5 | 35 | 45 | 27.5 | 14 |
| FV90 | 160 | 100 | 115 | 3.87 | 53 | 30 | 30 | 48 | 63 | 78 | 6.5 | 20 | 25 | 5 | 35 | 45 | 27.5 | 14 |
| FV90 | 200 | 100 | 115 | 3.50 | 53 | 30 | 30 | 48 | 63 | 78 | 6.5 | 20 | 25 | 5 | 35 | 45 | 27.5 | 14 |
| FV90 | 250 | 100 | 115 | 3.41 | 53 | 30 | 30 | 48 | 63 | 78 | 6.5 | 20 | 25 | 5 | 35 | 45 | 27.5 | 14 |
| FV112 | 100 | 120 | 170 | 6.11 | 62 | 35 | 32 | 55 | 72 | 90 | 7.5 | 22 | 30 | 6 | 40 | 60 | 30 | 16 |
| FV112 | 125 | 120 | 170 | 5.85 | 62 | 35 | 32 | 55 | 72 | 90 | 7.5 | 22 | 30 | 6 | 40 | 60 | 30 | 16 |
| FV112 | 160 | 120 | 170 | 5.26 | 62 | 35 | 32 | 55 | 72 | 90 | 7.5 | 22 | 30 | 6 | 40 | 60 | 30 | 16 |
| FV112 | 200 | 120 | 170 | 5.00 | 62 | 35 | 32 | 55 | 72 | 90 | 7.5 | 22 | 30 | 6 | 40 | 60 | 30 | 16 |
| FV112 | 250 | 120 | 170 | 4.72 | 62 | 35 | 32 | 55 | 72 | 90 | 7.5 | 22 | 30 | 6 | 40 | 60 | 30 | 16 |
| FV140 | 100 | 145 | 180 | 7.38 | 67 | 38 | 36 | 60 | 80 | 100 | 9.5 | 26 | 35 | 6 | 45 | 60 | 37.5 | 18 |
| FV140 | 125 | 145 | 180 | 6.78 | 67 | 38 | 36 | 60 | 80 | 100 | 9.5 | 26 | 35 | 6 | 45 | 60 | 37.5 | 18 |
| FV140 | 160 | 145 | 180 | 6.56 | 67 | 38 | 36 | 60 | 80 | 100 | 9.5 | 26 | 35 | 6 | 45 | 60 | 37.5 | 18 |
| FV140 | 200 | 145 | 180 | 5.82 | 67 | 38 | 36 | 60 | 80 | 100 | 9.5 | 26 | 35 | 6 | 45 | 60 | 37.5 | 18 |
| FV140 | 250 | 145 | 180 | 5.48 | 67 | 38 | 36 | 60 | 80 | 100 | 9.5 | 26 | 35 | 6 | 45 | 60 | 37.5 | 18 |
| FV180 | 125 | 190 | 250 | 10.70 | 86 | 49 | 42 | 70 | 100 | 125 | 13 | 30 | 45 | 8 | 50 | 70 | 45 | 20 |
| FV180 | 160 | 190 | 250 | 9.72 | 86 | 49 | 42 | 70 | 100 | 125 | 13 | 30 | 45 | 8 | 50 | 70 | 45 | 20 |
| FV180 | 200 | 190 | 250 | 9.12 | 86 | 49 | 42 | 70 | 100 | 125 | 13 | 30 | 45 | 8 | 50 | 70 | 45 | 20 |
| FV180 | 250 | 190 | 250 | 8.51 | 86 | 49 | 42 | 70 | 100 | 125 | 13 | 30 | 45 | 8 | 50 | 70 | 45 | 20 |
| FV180 | 315 | 190 | 250 | 8.20 | 86 | 49 | 42 | 70 | 100 | 125 | 13 | 30 | 45 | 8 | 50 | 70 | 45 | 20 |
| FV250 | 160 | 275 | 300 | 13.00 | 97 | 55 | 50 | 80 | 125 | 155 | 15 | 36 | 55 | 8 | 60 | 80 | 50 | 26 |
| FV250 | 200 | 275 | 300 | 11.80 | 97 | 55 | 50 | 80 | 125 | 155 | 15 | 36 | 55 | 8 | 60 | 80 | 50 | 26 |
| FV250 | 250 | 275 | 300 | 10.80 | 97 | 55 | 50 | 80 | 125 | 155 | 15 | 36 | 55 | 8 | 60 | 80 | 50 | 26 |
| FV250 | 315 | 275 | 300 | 10.00 | 97 | 55 | 50 | 80 | 125 | 155 | 15 | 36 | 55 | 8 | 60 | 80 | 50 | 26 |
| FV315 | 160 | 370 | 480 | 20.04 | 113 | 70 | 60 | 90 | 140 | 175 | 18 | 42 | 65 | 10 | 70 | 90 | 55 | 30 |
| FV315 | 200 | 370 | 480 | 18.24 | 113 | 70 | 60 | 90 | 140 | 175 | 18 | 42 | 65 | 10 | 70 | 90 | 55 | 30 |
| FV315 | 250 | 370 | 480 | 16.79 | 113 | 70 | 60 | 90 | 140 | 175 | 18 | 42 | 65 | 10 | 70 | 90 | 55 | 30 |
| FV315 | 315 | 370 | 480 | 15.53 | 113 | 70 | 60 | 90 | 140 | 175 | 18 | 42 | 65 | 10 | 70 | 90 | 55 | 30 |
| FV315 | 400 | 370 | 480 | 14.56 | 113 | 70 | 60 | 90 | 140 | 175 | 18 | 42 | 65 | 10 | 70 | 90 | 55 | 30 |

* Breaking Load With Heat Treated Plates.



Conveyor Chains

DIN 8167 M

DIN 8167 M **A Style**



DIN 8167 M **B Style**



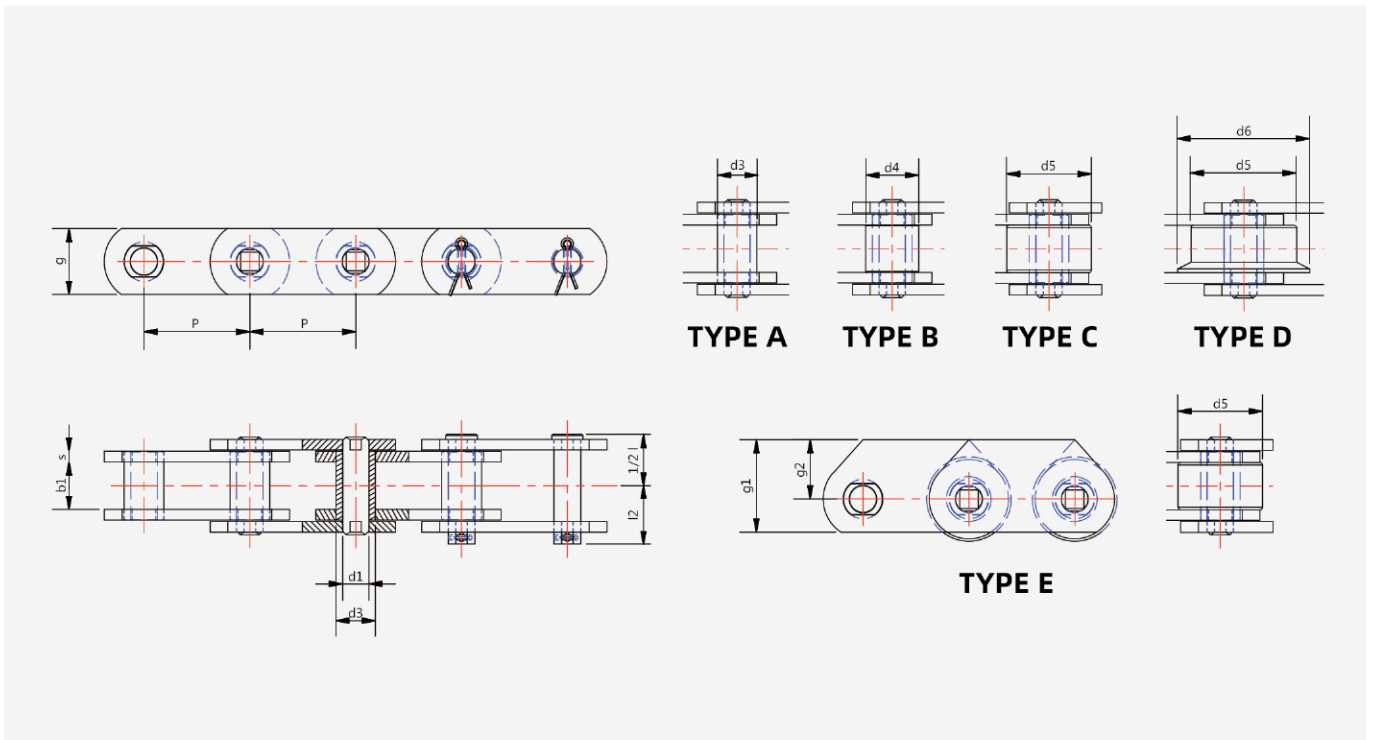
DIN 8167 M **C Style**



DIN 8167 M **D Style**



DIN 8167 M **E Style**



| Chain No. | Pitch p [mm] | Breaking load [kN] | Breaking load* [kN] | Average weight (bush type) [kg/m] | Over-All pin & cotter l [mm] | Over-All pin & cotter l2 [mm] | Small roller d4 [mm] | Large roller d5 [mm] | Flange roller d6 [mm] | Flange roller thickness t [mm] | Bushings diameter d3 [mm] | Between sidebars b1 [mm] | Sideplate thickness s [mm] | Sideplate height g [mm] | Sideplate height g1 [mm] | Sideplate height g2 [mm] | Pin d1 [mm] |
|-----------|--------------|--------------------|---------------------|-----------------------------------|------------------------------|-------------------------------|----------------------|----------------------|-----------------------|--------------------------------|---------------------------|--------------------------|----------------------------|-------------------------|--------------------------|--------------------------|-------------|
| M20 | 40 | 20 | 32 | 1.30 | 33 | 18 | 12.5 | 25 | 32 | 3.5 | 9 | 16 | 2.5 | 18 | 25 | 16 | 6 |
| M20 | 50 | 20 | 32 | 1.18 | 33 | 18 | 12.5 | 25 | 32 | 3.5 | 9 | 16 | 2.5 | 18 | 25 | 16 | 6 |
| M20 | 63 | 20 | 32 | 1.10 | 33 | 18 | 12.5 | 25 | 32 | 3.5 | 9 | 16 | 2.5 | 18 | 25 | 16 | 6 |
| M20 | 80 | 20 | 32 | 1.00 | 33 | 18 | 12.5 | 25 | 32 | 3.5 | 9 | 16 | 2.5 | 18 | 25 | 16 | 6 |
| M28 | 50 | 28 | 42 | 1.50 | 36 | 20 | 15 | 30 | 36 | 4 | 10 | 18 | 3 | 20 | 30 | 20 | 7 |
| M28 | 63 | 28 | 42 | 1.43 | 36 | 20 | 15 | 30 | 36 | 4 | 10 | 18 | 3 | 20 | 30 | 20 | 7 |
| M28 | 80 | 28 | 42 | 1.32 | 36 | 20 | 15 | 30 | 36 | 4 | 10 | 18 | 3 | 20 | 30 | 20 | 7 |
| M28 | 100 | 28 | 42 | 1.24 | 36 | 20 | 15 | 30 | 36 | 4 | 10 | 18 | 3 | 20 | 30 | 20 | 7 |
| M40 | 63 | 40 | 60 | 1.29 | 40.5 | 23 | 18 | 36 | 45 | 4.5 | 11 | 20 | 4 | 25 | 35 | 22.5 | 8 |
| M40 | 80 | 40 | 60 | 2.11 | 40.5 | 23 | 18 | 36 | 45 | 4.5 | 11 | 20 | 4 | 25 | 35 | 22.5 | 8 |
| M40 | 100 | 40 | 60 | 1.97 | 40.5 | 23 | 18 | 36 | 45 | 4.5 | 11 | 20 | 4 | 25 | 35 | 22.5 | 8 |
| M40 | 125 | 40 | 60 | 1.86 | 40.5 | 23 | 18 | 36 | 45 | 4.5 | 11 | 20 | 4 | 25 | 35 | 22.5 | 8 |
| M56 | 63 | 50 | 85 | 3.50 | 45 | 26 | 21 | 42 | 50 | 7 | 15 | 24 | 4 | 30 | 45 | 30 | 10 |
| M56 | 80 | 50 | 85 | 3.20 | 45 | 26 | 21 | 42 | 50 | 7 | 15 | 24 | 4 | 30 | 45 | 30 | 10 |
| M56 | 100 | 50 | 85 | 2.40 | 45 | 26 | 21 | 42 | 50 | 7 | 15 | 24 | 4 | 30 | 45 | 30 | 10 |
| M56 | 125 | 50 | 85 | 2.70 | 45 | 26 | 21 | 42 | 50 | 7 | 15 | 24 | 4 | 30 | 45 | 30 | 10 |
| M56 | 160 | 50 | 85 | 2.50 | 45 | 26 | 21 | 42 | 50 | 7 | 15 | 24 | 4 | 30 | 45 | 30 | 10 |
| M80 | 80 | 80 | 125 | 4.51 | 54.5 | 31 | 25 | 50 | 60 | 7 | 18 | 28 | 5 | 35 | 50 | 32.5 | 12 |
| M80 | 100 | 80 | 125 | 4.13 | 54.5 | 31 | 25 | 50 | 60 | 7 | 18 | 28 | 5 | 35 | 50 | 32.5 | 12 |
| M80 | 125 | 80 | 125 | 3.83 | 54.5 | 31 | 25 | 50 | 60 | 7 | 18 | 28 | 5 | 35 | 50 | 32.5 | 12 |
| M80 | 160 | 80 | 125 | 3.57 | 54.5 | 31 | 25 | 50 | 60 | 7 | 18 | 28 | 5 | 35 | 50 | 32.5 | 12 |
| M80 | 200 | 80 | 125 | 3.38 | 54.5 | 31 | 25 | 50 | 60 | 7 | 18 | 28 | 5 | 35 | 50 | 32.5 | 12 |
| M112 | 80 | 112 | 175 | 6.30 | 63 | 36 | 30 | 60 | 75 | 7.5 | 21 | 32 | 6 | 40 | 60 | 40 | 15 |
| M112 | 100 | 112 | 175 | 5.60 | 63 | 36 | 30 | 60 | 75 | 7.5 | 21 | 32 | 6 | 40 | 60 | 40 | 15 |
| M112 | 125 | 112 | 175 | 5.80 | 63 | 36 | 30 | 60 | 75 | 7.5 | 21 | 32 | 6 | 40 | 60 | 40 | 15 |
| M112 | 160 | 112 | 175 | 5.37 | 63 | 36 | 30 | 60 | 75 | 7.5 | 21 | 32 | 6 | 40 | 60 | 40 | 15 |
| M112 | 200 | 112 | 175 | 4.63 | 63 | 36 | 30 | 60 | 75 | 7.5 | 21 | 32 | 6 | 40 | 60 | 40 | 15 |
| M160 | 100 | 160 | 260 | 9.80 | 72 | 41 | 36 | 70 | 90 | 8.5 | 25 | 37 | 7 | 50 | 70 | 45 | 18 |
| M160 | 125 | 160 | 260 | 8.50 | 72 | 41 | 36 | 70 | 90 | 8.5 | 25 | 37 | 7 | 50 | 70 | 45 | 18 |
| M160 | 160 | 160 | 260 | 7.80 | 72 | 41 | 36 | 70 | 90 | 8.5 | 25 | 37 | 7 | 50 | 70 | 45 | 18 |
| M160 | 200 | 160 | 260 | 7.30 | 72 | 41 | 36 | 70 | 90 | 8.5 | 25 | 37 | 7 | 50 | 70 | 45 | 18 |
| M160 | 250 | 160 | 260 | 6.90 | 72 | 41 | 36 | 70 | 90 | 8.5 | 25 | 37 | 7 | 50 | 70 | 45 | 18 |
| M224 | 125 | 224 | 340 | 12.30 | 84 | 47 | 42 | 85 | 105 | 10 | 30 | 43 | 8 | 60 | 90 | 60 | 21 |
| M224 | 160 | 224 | 340 | 11.10 | 84 | 47 | 42 | 85 | 105 | 10 | 30 | 43 | 8 | 60 | 90 | 60 | 21 |
| M224 | 200 | 224 | 340 | 10.20 | 84 | 47 | 42 | 85 | 105 | 10 | 30 | 43 | 8 | 60 | 90 | 60 | 21 |
| M224 | 250 | 224 | 340 | 6.90 | 84 | 47 | 42 | 85 | 105 | 10 | 30 | 43 | 8 | 60 | 90 | 60 | 21 |
| M224 | 315 | 224 | 340 | 8.98 | 84 | 47 | 42 | 85 | 105 | 10 | 30 | 43 | 8 | 60 | 90 | 60 | 21 |
| M315 | 160 | 315 | 520 | 19.20 | 97 | 57 | 50 | 100 | 124 | 10.5 | 36 | 48 | 10 | 70 | 100 | 65 | 25 |
| M315 | 200 | 315 | 520 | 16.70 | 97 | 57 | 50 | 100 | 124 | 10.5 | 36 | 48 | 10 | 70 | 100 | 65 | 25 |
| M135 | 250 | 315 | 520 | 15.60 | 97 | 57 | 50 | 100 | 124 | 10.5 | 36 | 48 | 10 | 70 | 100 | 65 | 25 |
| M315 | 315 | 315 | 520 | 14.70 | 97 | 57 | 50 | 100 | 124 | 10.5 | 36 | 48 | 10 | 70 | 100 | 65 | 25 |
| M315 | 400 | 315 | 520 | 13.80 | 97 | 57 | 50 | 100 | 124 | 10.5 | 36 | 48 | 10 | 70 | 100 | 65 | 25 |

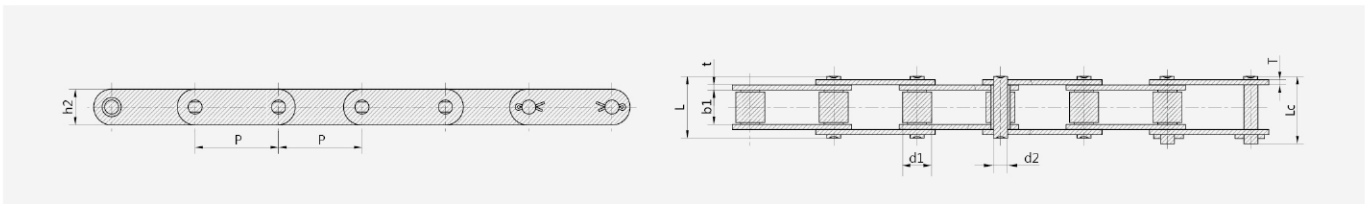
* Breaking Load With Heat Treated Plates.

* Continued

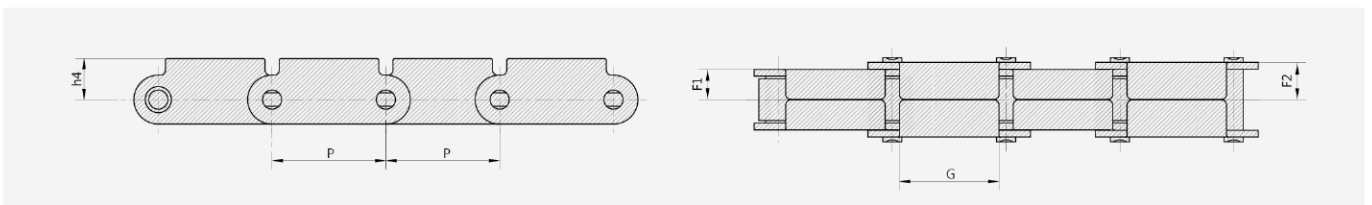
| Chain No. | Pitch p [mm] | Breaking load [kN] | Breaking load* [kN] | Average weight (bush type) [kg/m] | Over-All pin & cotter l [mm] | Over-All pin & cotter l2 [mm] | Small roller d4 [mm] | Large roller d5 [mm] | Flange roller d6 [mm] | Flange roller thickness t [mm] | Bushings diameter d3 [mm] | Between sidebars b1 [mm] | Sideplate thickness s [mm] | Sideplate height g [mm] | Sideplate height g1 [mm] | Sideplate height g2 [mm] | Pin d1 [mm] |
|-----------|--------------|--------------------|---------------------|-----------------------------------|------------------------------|-------------------------------|----------------------|----------------------|-----------------------|--------------------------------|---------------------------|--------------------------|----------------------------|-------------------------|--------------------------|--------------------------|-------------|
| M450 | 200 | 450 | 700 | 23.90 | 114 | 70 | 60 | 120 | 149 | 11.5 | 42 | 56 | 12 | 80 | 120 | 80 | 30 |
| M450 | 250 | 450 | 700 | 22.12 | 114 | 70 | 60 | 120 | 149 | 11.5 | 42 | 56 | 12 | 80 | 120 | 80 | 30 |
| M450 | 315 | 450 | 700 | 20.65 | 114 | 70 | 60 | 120 | 149 | 11.5 | 42 | 56 | 12 | 80 | 120 | 80 | 30 |
| M450 | 400 | 450 | 700 | 19.45 | 114 | 70 | 60 | 120 | 149 | 11.5 | 42 | 56 | 12 | 80 | 120 | 80 | 30 |
| M630 | 250 | 630 | 900 | 35.28 | 137 | 75 | 70 | 140 | 170 | 15 | 50 | 67 | 14 | 100 | 140 | 90 | 36 |
| M630 | 315 | 630 | 900 | 32.53 | 137 | 75 | 70 | 140 | 170 | 15 | 50 | 67 | 14 | 100 | 140 | 90 | 36 |
| M630 | 400 | 630 | 900 | 30.30 | 137 | 75 | 70 | 140 | 170 | 15 | 50 | 67 | 14 | 100 | 140 | 90 | 36 |
| M630 | 500 | 630 | 900 | 28.64 | 137 | 75 | 70 | 140 | 170 | 15 | 50 | 67 | 14 | 100 | 140 | 90 | 36 |
| M900 | 250 | 900 | 1250 | 53.20 | 153 | 83 | 85 | 170 | 210 | 17 | 60 | 78 | 16 | 120 | 180 | 120 | 44 |
| M900 | 315 | 900 | 1250 | 48.20 | 153 | 83 | 85 | 170 | 210 | 17 | 60 | 78 | 16 | 120 | 180 | 120 | 44 |
| M900 | 400 | 900 | 1250 | 44.50 | 153 | 83 | 85 | 170 | 210 | 17 | 60 | 78 | 16 | 120 | 180 | 120 | 44 |
| M900 | 500 | 900 | 1250 | 41.60 | 153 | 83 | 85 | 170 | 210 | 17 | 60 | 78 | 16 | 120 | 180 | 120 | 44 |
| M900 | 600 | 900 | 1250 | 39.20 | 153 | 83 | 85 | 170 | 210 | 17 | 60 | 78 | 16 | 120 | 180 | 120 | 44 |

* Breaking Load With Heat Treated Plates.

Lumber Conveyor Chain & Attachments

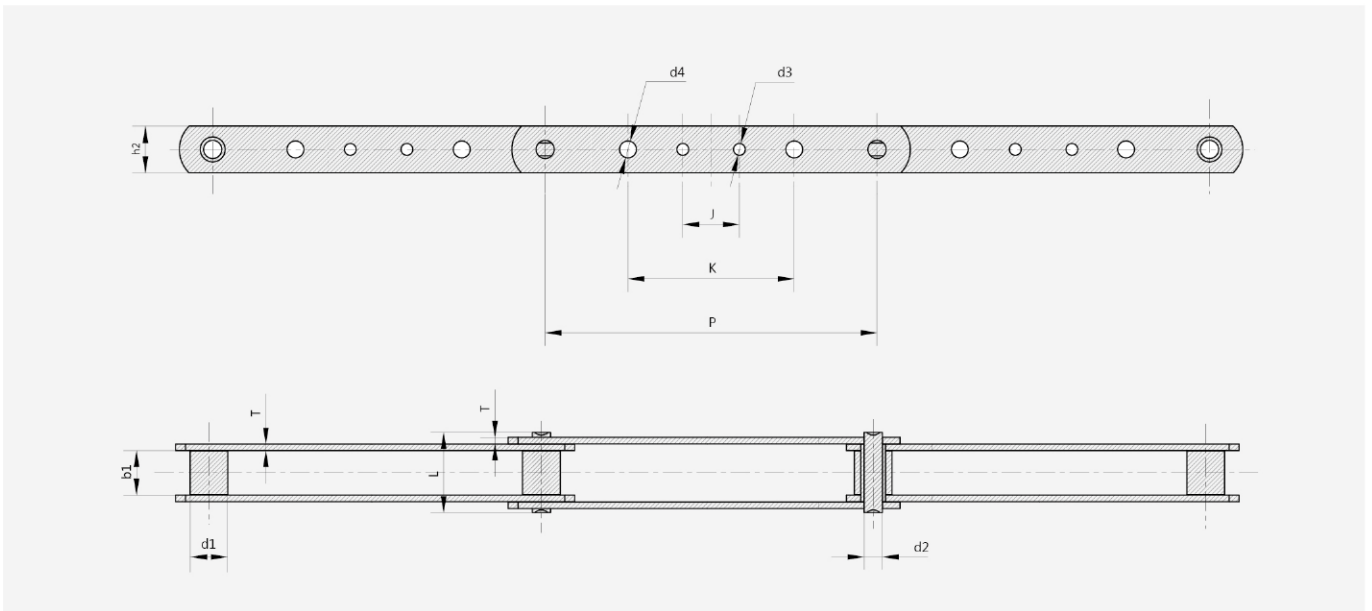


| Chain No. | Pitch P [mm] | Roller diameter d1 max [mm] | Width between inner plates b1 min [mm] | Pin diameter d2 max [mm] | Pin length L max [mm] | Pin length Lc max [mm] | Innerplate depth h2 max [mm] | Plate thickness T max [mm] | Ultimate tensile strength Q min [kN/lbf] | Average tensile strength q kN | Weight per meter q [kg/m] |
|-----------|--------------|-----------------------------|--|--------------------------|-----------------------|------------------------|------------------------------|----------------------------|--|-------------------------------|---------------------------|
| 81X | 66.27 | 23.00 | 27.00 | 11.10 | 49.0 | 53.5 | 28.50 | 4.00 | 106.7/24250 | 128.9 | 3.78 |
| 81XH | 66.27 | 23.00 | 27.78 | 11.10 | 60.7 | 65.1 | 31.35 | 7.94/5.55 | 151.9/34523 | 175.7 | 5.88 |
| 81XHH | 66.27 | 23.00 | 27.78 | 11.10 | 65.6 | 70.0 | 31.35 | 7.94 | 191.1/43432 | 212.6 | 6.70 |
| 81XHS | 66.27 | 23.00 | 27.00 | 11.10 | 63.6 | 68.0 | 31.80 | 7.60 | 152.0/34545 | 177.2 | 6.55 |
| 500R | 50.00 | 25.40 | 25.40 | 14.63 | 52.0 | 56.4 | 40.00 | 5.00 | 100.0/22727 | 114.5 | 7.13 |
| 441.100R | 100.00 | 25.40 | 25.40 | 14.63 | 52.0 | 56.4 | 40.00 | 5.00 | 100.0/22727 | 114.5 | 5.15 |



| Chain No. | P [mm] | F1 [mm] | F2 [mm] | G [mm] | h4 [mm] |
|-----------|--------|---------|---------|--------|---------|
| 81XF1(RT) | 66.27 | 17.5 | 21.8 | 58.0 | 23.85 |

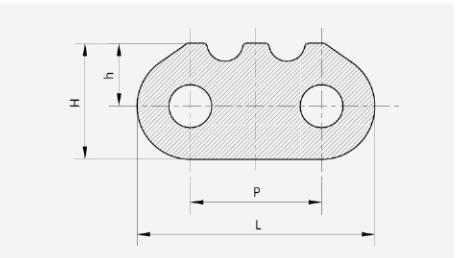
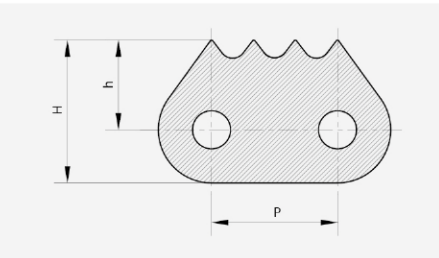
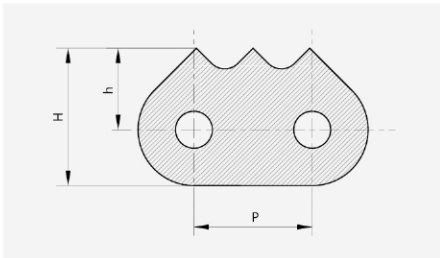
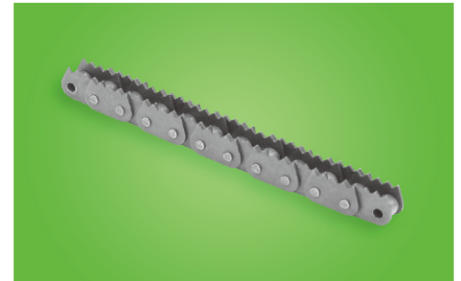
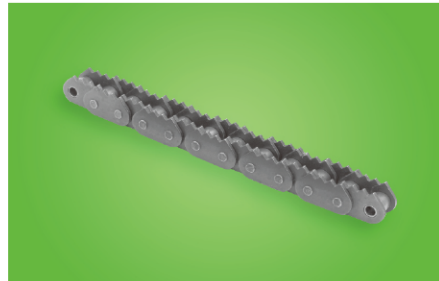
Lumber Conveyor Chain & Attachments



| Chain No. | Pitch P [mm] | Roller diameter d1 [mm] | Width between inner plates b1 [mm] | Pin dimension d2 [mm] | Pin dimension L [mm] | Plate dimension h2 [mm] | Plate dimension d3 [mm] | Plate dimension d4 [mm] | Plate dimension J [mm] | Plate dimension K [mm] | Plate thickness T [mm] | Ultimate tensile strength Q [kN/lbf] | Average tensile strength q [kN] | Weight per meter q [kg/m] |
|-----------|--------------|-------------------------|------------------------------------|-----------------------|----------------------|-------------------------|-------------------------|-------------------------|------------------------|------------------------|------------------------|--------------------------------------|---------------------------------|---------------------------|
| 3939-B4 | 203.2 | 23.0 | 27.0 | 11.1 | 49.0 | 28.58 | 7.2 | 7.2 | 38.1 | 101.6 | 4.0 | 115.58/26268 | 136.5 | 2.45 |
| 3939-B21 | 203.2 | 23.0 | 27.0 | 11.1 | 49.0 | 28.58 | 7.2 | - | 38.1 | - | 4.0 | 115.58/26268 | 136.5 | 2.45 |
| 3939-B23 | 203.2 | 23.0 | 27.0 | 11.1 | 49.0 | 28.58 | - | 10.3 | - | 92.1 | 4.0 | 115.58/26268 | 136.5 | 2.45 |
| 3939-B24 | 203.2 | 23.0 | 27.0 | 11.1 | 49.0 | 28.58 | - | 7.2 | - | 101.6 | 4.0 | 115.58/26268 | 136.5 | 2.48 |
| 3939-B40 | 203.2 | 23.0 | 27.0 | 11.1 | 49.0 | 28.58 | - | 10.3 | - | 101.6 | 4.0 | 115.58/26268 | 136.5 | 2.45 |
| 3939-B43 | 203.2 | 23.0 | 27.0 | 11.1 | 49.0 | 28.58 | 7.2 | 10.3 | 38.1 | 92.1 | 4.0 | 115.58/26268 | 136.5 | 2.42 |
| 3939-B44 | 203.2 | 23.0 | 27.0 | 11.1 | 49.0 | 28.58 | 7.2 | 10.3 | 38.1 | 101.6 | 4.0 | 115.58/26268 | 136.5 | 2.45 |
| 3939H-B4 | 203.2 | 23.0 | 27.0 | 11.1 | 58.0 | 28.60 | - | 7.2 | 38.0 | 102.0 | 6.4 | 150.00/34082 | 172.5 | 3.51 |



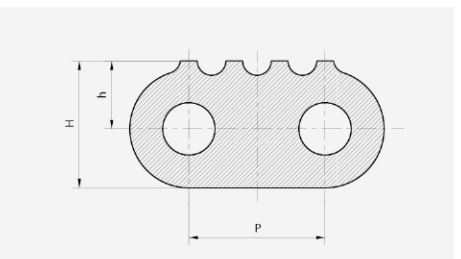
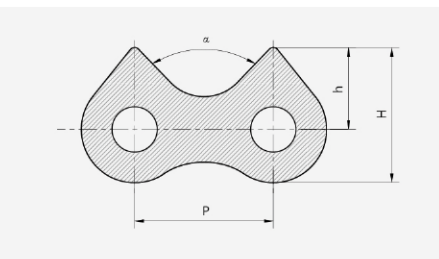
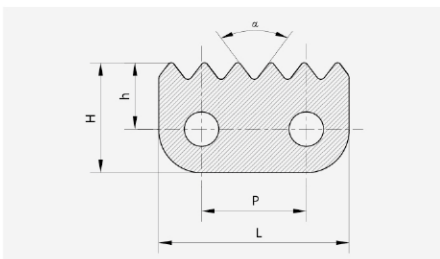
Sharp Top Chain



| Chain No. | P [mm] | h [mm] | H [mm] |
|-----------|--------|--------|--------|
| C16AF1 | 25.4 | 17.5 | 29.5 |
| C16A-3PEP | 25.4 | 17.4 | 29.0 |
| C16BF3 | 25.4 | 18.7 | 29.2 |

| Chain No. | P [mm] | h [mm] | H [mm] |
|-----------|--------|--------|--------|
| C16A-1170 | 25.4 | 16.5 | 28.0 |
| 16B-1170 | 25.4 | 16.0 | 26.5 |
| 16B-1172 | 25.4 | 15.0 | 25.5 |
| C24B-4STC | 38.1 | 18.3 | 35.0 |

| Chain No. | P [mm] | L [mm] | h [mm] | H [mm] |
|-----------|--------|--------|--------|--------|
| 16B-1180 | 25.4 | 46 | 12.2 | 22.5 |



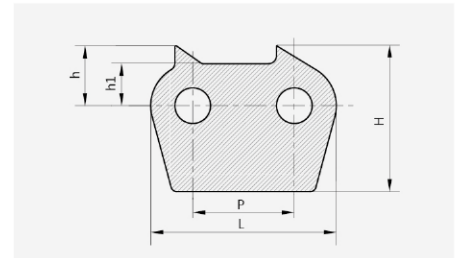
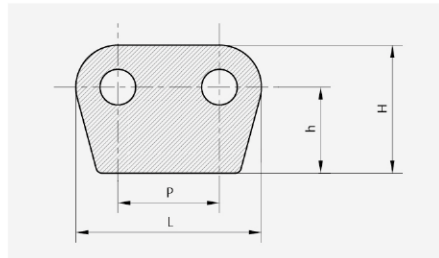
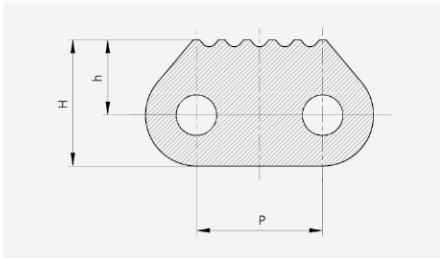
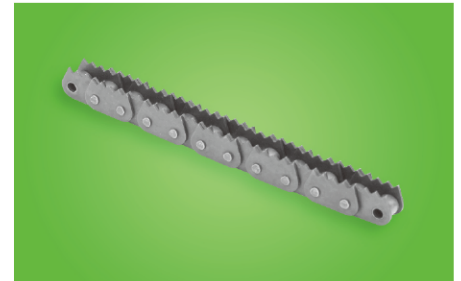
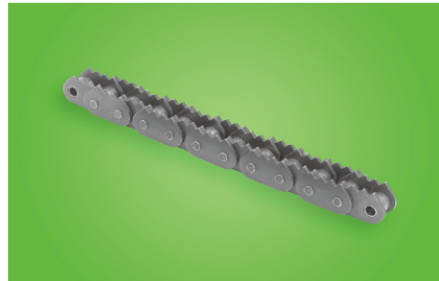
| Chain No. | P [mm] | L [mm] | h [mm] | H [mm] | α |
|-----------|--------|--------|--------|--------|----------|
| 16B-1185 | 25.4 | 46.0 | 16.0 | 26.5 | 75.0° |
| 16B-6STC | 25.4 | 46.0 | 16.0 | 26.5 | 73.4° |

| Chain No. | P [mm] | h [mm] | H [mm] | α |
|------------|--------|--------|--------|----------|
| 16B-2STCF1 | 25.40 | 15.0 | 24.75 | 88.0° |
| 20A-2STCF1 | 31.75 | 23.0 | 35.95 | 80.0° |
| 20A-2STCF3 | 31.75 | 23.0 | 35.95 | 82.4° |

| Chain No. | P [mm] | h [mm] | H [mm] |
|-----------|--------|--------|--------|
| 24B-1810 | 38.1 | 19.0 | 35.5 |
| 24A-1802 | 38.1 | 21.0 | 38.5 |



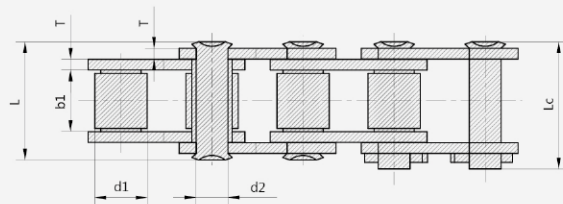
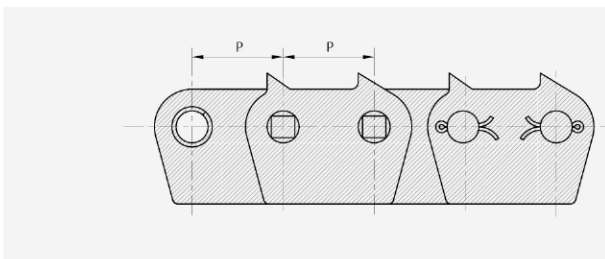
Sharp Top Chain



| Chain No. | P [mm] | h [mm] | H [mm] |
|-----------|--------|--------|--------|
| 20BF10 | 31.75 | 19.00 | 31.80 |

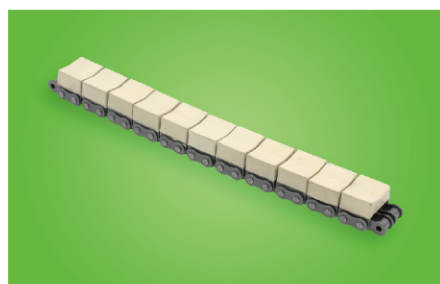
| Chain No. | P [mm] | L [mm] | h [mm] | h1 [mm] | H [mm] |
|-----------|--------|--------|--------|---------|--------|
| 32B-1872 | 50.8 | 92.8 | - | 43.0 | 64.0 |

| Chain No. | P [mm] | L [mm] | h [mm] | h1 [mm] | H [mm] |
|-------------|--------|--------|--------|---------|--------|
| 32BF1 | 50.8 | 92.8 | 21.0 | 30.0 | 73.0 |
| 32B-1900F1 | 50.8 | 92.8 | 21.0 | 30.0 | 75.0 |
| 32BF15 | 50.8 | 91.8 | 20.0 | 45.0 | 75.0 |
| C32B-1874F1 | 50.8 | 92.8 | 21.0 | 40.0 | 83.0 |



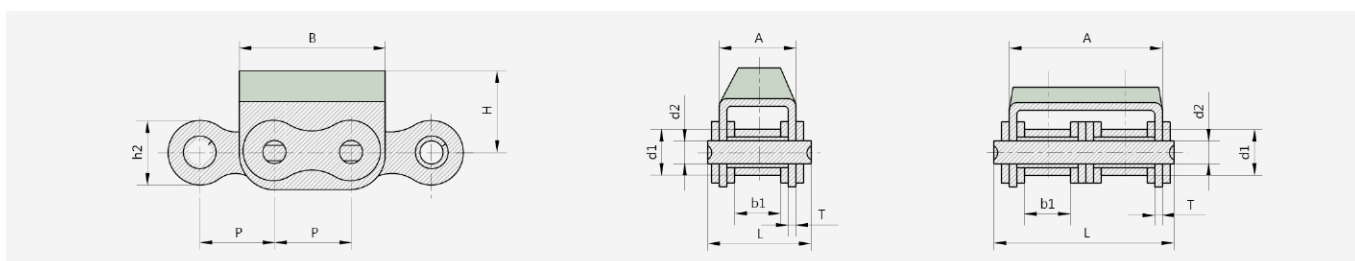
| Chain No. | Pitch P [mm] | Roller diameter d1 max [mm] | Width between inner plates b1 min [mm] | Pin diameter d2 max [mm] | Pin length L max [mm] | Pin length Lc max [mm] | Plate thickness T max [mm] | Ultimate tensile strength Q min [kN/lbf] | Average tensile strength q kN | Weight per meter q [kg/m] |
|------------|--------------|-----------------------------|--|--------------------------|-----------------------|------------------------|----------------------------|--|-------------------------------|---------------------------|
| 32B-1-1872 | 50.8 | 29.21 | 33.0 | 17.81 | 66.0 | 71.0 | 6.0 | 250.0/56818 | 275.0 | 13.54 |

Roller Chain With Vulcanised Elastomer Profiles



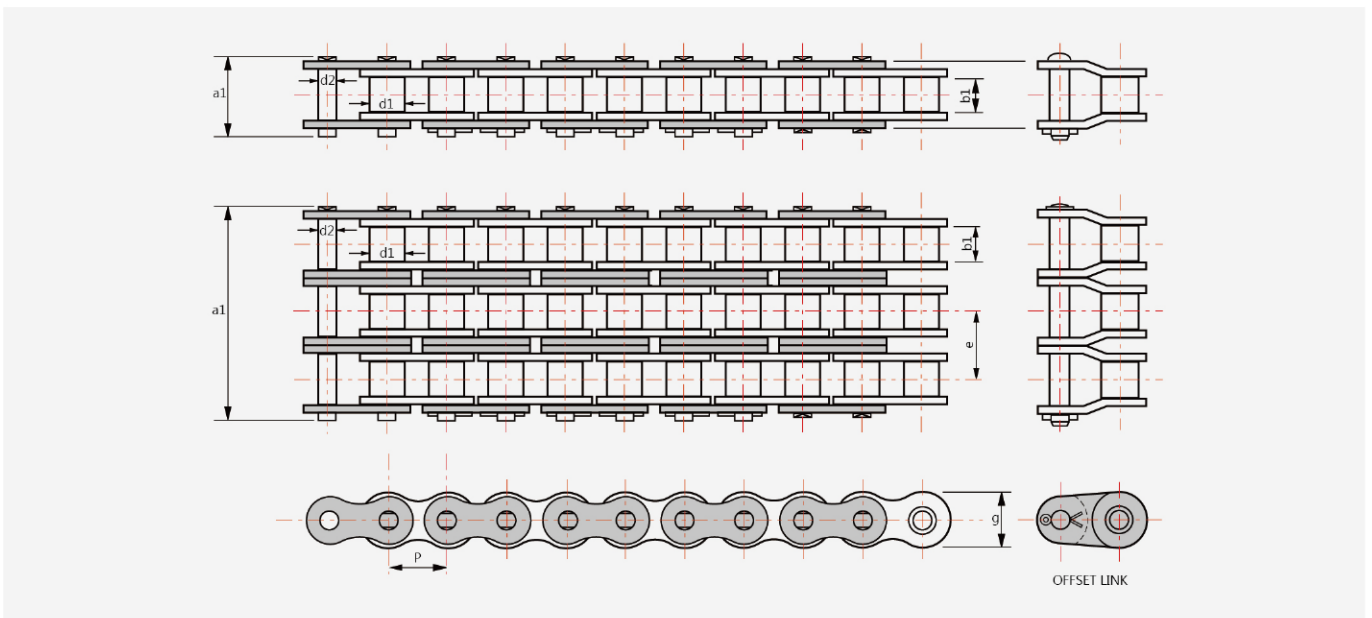
With G1 Profile

With G2 Profile



| Chain No. | Pitch P [mm] | Roller diameter d1 max [mm] | Width between inner plates b1 min [mm] | Pin dimension d2 max [mm] | Pin length L max [mm] | Plate dimension h2 max [mm] | Plate dimension A [mm] | Plate dimension B [mm] | Plate dimension H [mm] | Plate dimension T [mm] | Ultimate tensile strength Q min [kN/lbf] | Weight per meter q [kg/m] |
|-----------|--------------|-----------------------------|--|---------------------------|-----------------------|-----------------------------|------------------------|------------------------|------------------------|------------------------|--|---------------------------|
| 08B-G1 | 12.700 | 8.51 | 7.75 | 4.45 | 20.0 | 11.80 | 14.60 | 24.20 | 12.3 | 1.60 | 18.0/4091 | 1.19 |
| 08B-G2 | 12.700 | 8.51 | 7.75 | 4.45 | 34.3 | 11.80 | 28.40 | 24.20 | 12.3 | 1.50 | 32.0/7273 | 2.07 |
| 10A-G1 | 15.875 | 10.16 | 9.40 | 5.08 | 24.5 | 15.09 | 17.50 | 31.00 | 17.0 | 1.60 | 21.8/4953 | 1.70 |
| 10B-G1 | 15.875 | 10.16 | 9.65 | 5.08 | 23.2 | 14.70 | 16.80 | 30.00 | 17.0 | 1.60 | 19.0/4318 | 1.62 |
| 10B-G2 | 15.875 | 10.16 | 9.65 | 5.08 | 39.7 | 14.70 | 33.30 | 30.00 | 17.0 | 1.50 | 44.5/10004 | 2.56 |
| 10B-G2F5 | 15.875 | 10.16 | 9.65 | 5.08 | 39.7 | 14.70 | 33.30 | 30.00 | 25.3 | 1.50 | 44.5/10004 | 2.58 |
| 12B-G1 | 19.050 | 12.07 | 11.68 | 5.72 | 25.7 | 16.00 | 19.60 | 36.00 | 21.0 | 1.85 | 29.0/6591 | 2.01 |
| 12B-G2 | 19.050 | 12.07 | 11.68 | 5.72 | 45.3 | 16.00 | 39.10 | 36.00 | 16.0 | 1.85 | 57.8/13136 | 3.21 |
| 12A-G1 | 19.050 | 11.91 | 12.57 | 5.94 | 29.9 | 18.00 | 21.40 | 37.05 | 21.0 | 1.85 | 31.8/7153 | 2.55 |
| 12A-G2 | 19.050 | 11.91 | 12.57 | 5.94 | 52.9 | 18.00 | 44.50 | 37.05 | 21.0 | 1.85 | 62.3/14005 | 4.25 |
| 12AF1-G1 | 19.050 | 11.91 | 17.00 | 5.94 | 34.0 | 18.00 | 26.00 | 36.00 | 16.0 | 1.85 | 31.8/7153 | 2.62 |
| 16A-G1 | 25.400 | 15.88 | 15.75 | 7.92 | 37.2 | 24.00 | 27.50 | 46.00 | 20.0 | 2.42 | 42.0/9545 | 3.97 |
| 16A-G2 | 25.400 | 15.88 | 15.75 | 7.92 | 68.0 | 24.00 | 57.20 | 46.00 | 20.0 | 2.42 | 84/18896 | 7.27 |
| 16B-G1 | 25.400 | 15.88 | 17.02 | 8.28 | 39.7 | 21.00 | 29.10 | 49.00 | 21.4 | 1.60 | 60.0/ | 3.95 |
| 16B-G1F1 | 25.400 | 15.88 | 17.02 | 8.28 | 40.6 | 21.00 | 30.00 | 49.00 | 21.4 | 2.03 | 60.0/ | 3.95 |
| 20A-G1 | 31.750 | 19.05 | 18.90 | 9.53 | 46.8 | 30.00 | 34.00 | 57.60 | 28.0 | 3.10 | 86.7/19503 | 6.15 |
| 20B-G1 | 31.750 | 19.05 | 19.56 | 10.19 | 48.0 | 26.40 | 36.00 | 57.00 | 27.0 | 3.50 | 85.0/19318 | 6.19 |
| 24B-G1 | 38.100 | 25.40 | 25.40 | 14.63 | 61.6 | 33.20 | 47.00 | 72.60 | 34.0 | 4.50 | 160.0/36363 | 11.25 |

British Standard Roller Chains



| Chain No. | Pitch P [mm] | Roller width b1 [mm] | Roller diameter d1 [mm] | Pin diameter d2 [mm] | Side plates height g [mm] | Over-All pin & cotter a1 [mm] | Transverse pitch e [mm] | Weight [Kg/m] | Tensile strength [N] |
|-----------|--------------|----------------------|-------------------------|----------------------|---------------------------|-------------------------------|-------------------------|---------------|----------------------|
| 04B-1 | 6.00 | 2.80 | 4.00 | 1.85 | 5.00 | 10.30 | – | 0.12 | 3,000 |
| 05B-1 | 8.00 | 3.00 | 5.00 | 2.31 | 7.10 | 11.70 | – | 0.10 | 5,000 |
| 06B-1* | 9.53 | 5.72 | 6.35 | 3.26 | 8.26 | 16.78 | – | 0.45 | 8,940 |
| 06B-2* | 9.53 | 5.72 | 6.35 | 3.26 | 8.26 | 27.10 | 10.24 | 0.80 | 16,946 |
| 06B-3* | 9.53 | 5.72 | 6.35 | 3.26 | 8.26 | 37.31 | 10.24 | 1.18 | 24,908 |
| 08B-1 | 12.70 | 7.75 | 8.51 | 4.45 | 11.80 | 20.90 | – | 0.68 | 17,836 |
| 08B-2 | 12.70 | 7.75 | 8.51 | 4.45 | 11.80 | 34.90 | 13.92 | 1.31 | 31,180 |
| 08B-3 | 12.70 | 7.75 | 8.51 | 4.45 | 11.80 | 47.80 | 13.92 | 1.94 | 44,524 |
| 81-1 | 12.70 | 3.30 | 7.75 | 3.64 | 9.91 | 11.70 | – | 0.28 | 8,000 |
| 83-1 | 12.70 | 4.88 | 7.75 | 3.64 | 9.91 | 13.10 | – | 0.38 | 8,000 |

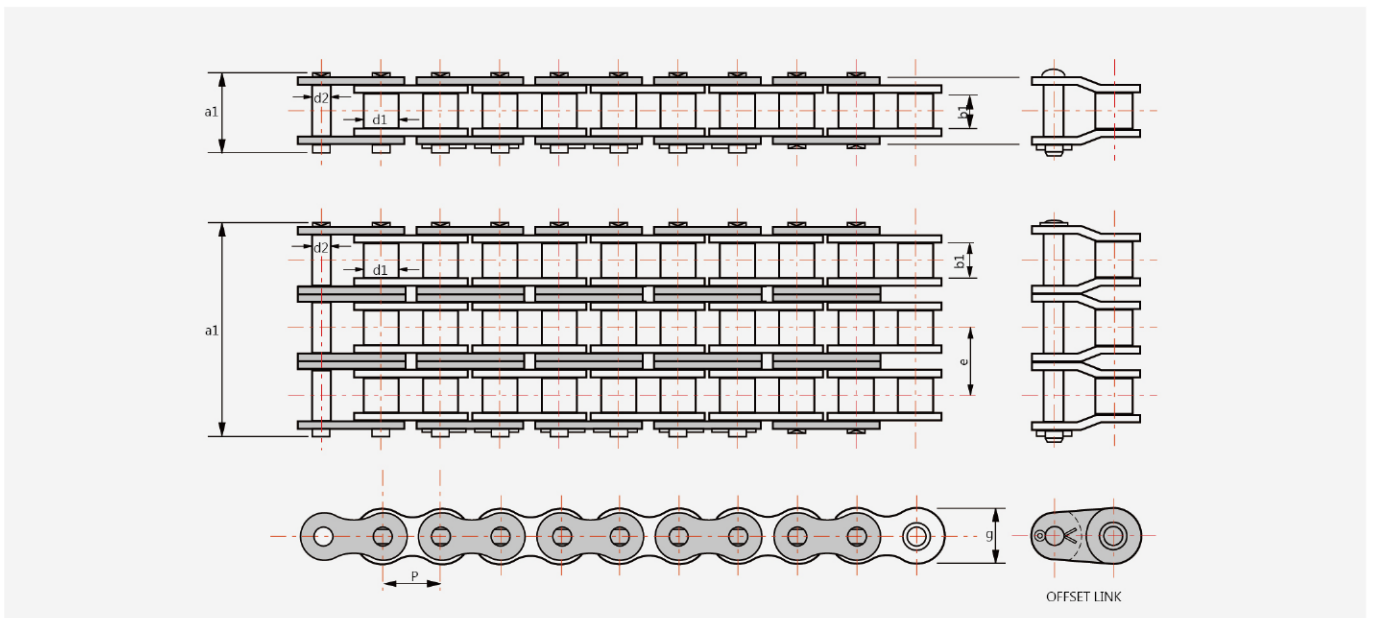
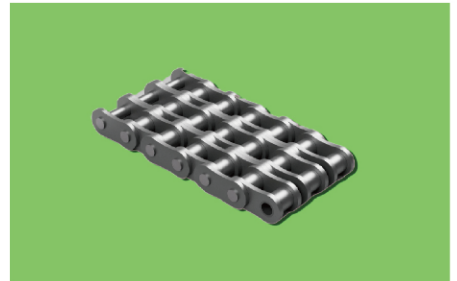
* Straight side plates

* Continued

| Chain No. | Pitch P [mm] | Roller width b1 [mm] | Roller diameter d1 [mm] | Pin diameter d2 [mm] | Side plates height g [mm] | Over-All pin & cotter a1 [mm] | Transverse pitch e [mm] | Weight [Kg/m] | Tensile strength [N] |
|-----------|--------------|----------------------|-------------------------|----------------------|---------------------------|-------------------------------|-------------------------|---------------|----------------------|
| 10B-1 | 15.87 | 9.65 | 10.20 | 5.08 | 14.70 | 23.70 | – | 0.95 | 22,240 |
| 10B-2 | 15.87 | 9.65 | 10.20 | 5.08 | 14.70 | 40.30 | 16.60 | 1.87 | 44,524 |
| 10B-3 | 15.87 | 9.65 | 10.20 | 5.08 | 14.70 | 56.90 | 16.60 | 2.80 | 66,764 |
| 12B-1 | 19.05 | 11.68 | 12.07 | 5.72 | 16.10 | 27.31 | – | 1.19 | 28,912 |
| 12B-2 | 19.05 | 11.68 | 12.07 | 5.72 | 16.10 | 46.31 | 19.50 | 2.34 | 57,868 |
| 12B-3 | 19.05 | 11.68 | 12.07 | 5.72 | 16.10 | 66.29 | 19.50 | 3.47 | 86,780 |
| 16B-1 | 25.40 | 17.02 | 15.88 | 8.28 | 21.10 | 41.50 | – | 2.72 | 56,889 |
| 16B-2 | 25.40 | 17.02 | 15.88 | 8.28 | 21.10 | 73.41 | 31.88 | 5.37 | 113,735 |
| 16B-3 | 25.40 | 17.02 | 15.88 | 8.28 | 21.10 | 105.30 | 31.88 | 8.02 | 170,625 |
| 20B-1 | 31.75 | 19.56 | 19.05 | 10.19 | 26.42 | 49.30 | – | 3.88 | 93,141 |
| 20B-2 | 31.75 | 19.56 | 19.05 | 10.19 | 26.42 | 85.80 | 36.45 | 7.66 | 176,496 |
| 20B-3 | 31.75 | 19.56 | 19.05 | 10.19 | 26.42 | 122.20 | 36.45 | 11.44 | 264,744 |
| 24B-1 | 38.10 | 25.40 | 25.40 | 14.60 | 33.40 | 59.99 | – | 6.85 | 166,711 |
| 24B-2 | 38.10 | 25.40 | 25.40 | 14.60 | 33.40 | 108.40 | 48.36 | 13.87 | 317,721 |
| 24B-3 | 38.10 | 25.40 | 25.40 | 14.60 | 33.40 | 156.80 | 48.36 | 20.89 | 475,580 |
| 28B-1 | 44.45 | 30.99 | 27.94 | 15.90 | 37.00 | 65.10 | – | 8.56 | 200,000 |
| 28B-2 | 44.45 | 30.99 | 27.94 | 15.90 | 37.00 | 124.70 | 59.56 | 16.96 | 360,000 |
| 28B-3 | 44.45 | 30.99 | 27.94 | 15.90 | 37.00 | 184.30 | 59.56 | 25.38 | 536,000 |
| 32B-1 | 50.80 | 30.99 | 29.21 | 17.80 | 42.20 | 67.40 | – | 9.49 | 250,000 |
| 32B-2 | 50.80 | 30.99 | 29.21 | 17.80 | 42.20 | 126.00 | 58.55 | 18.74 | 443,896 |
| 32B-3 | 50.80 | 30.99 | 29.21 | 17.80 | 42.20 | 184.50 | 58.55 | 28.04 | 670,000 |
| 40B-1 | 63.50 | 38.10 | 39.37 | 22.89 | 52.90 | 92.50 | – | 15.53 | 352,299 |
| 40B-2 | 63.50 | 38.10 | 39.37 | 22.89 | 52.90 | 151.21 | 72.29 | 30.72 | 630,000 |
| 40B-3 | 63.50 | 38.10 | 39.37 | 22.89 | 52.90 | 223.80 | 72.29 | 45.97 | 950,000 |
| 48B-1 | 76.20 | 45.72 | 48.26 | 29.24 | 64.00 | 98.88 | – | 24.45 | 560,000 |
| 48B-2 | 76.20 | 45.72 | 48.26 | 29.24 | 64.00 | 200.00 | 91.21 | 48.54 | 1,096,041 |
| 48B-3 | 76.20 | 45.72 | 48.26 | 29.24 | 64.00 | 291.00 | 91.21 | 72.67 | 1,500,000 |



American Standard Roller Chains



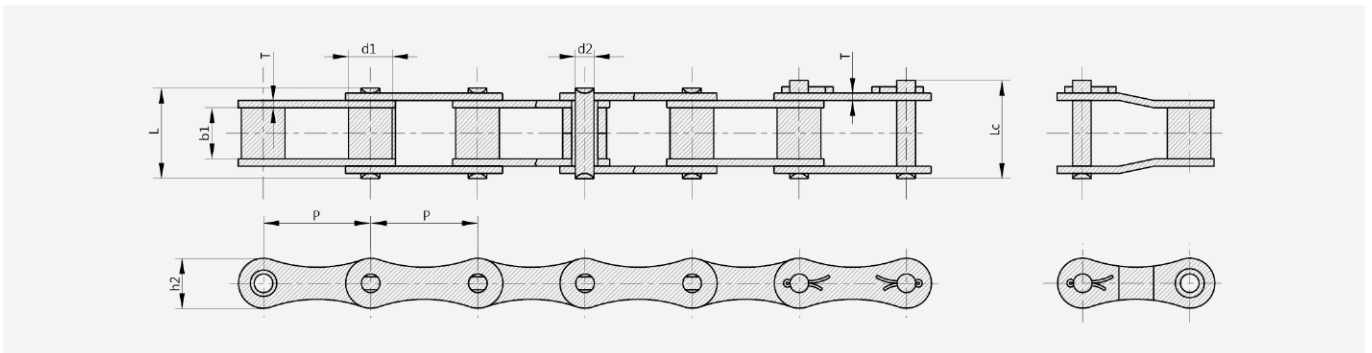
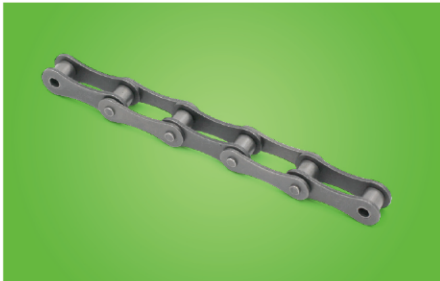
| Chain No. | Pitch P [mm] | Roller width b_1 [mm] | Roller diameter d_1 [mm] | Pin diameter d_2 [mm] | Side plates height g [mm] | Over-All pin & cotter a_1 [mm] | Transverse pitch e [mm] | Weight [Kg/m] | Tensile strength [N] |
|-----------|--------------|-------------------------|----------------------------|-------------------------|-----------------------------|----------------------------------|---------------------------|---------------|----------------------|
| 25-1* | 0.250 | 0.125 | 0.130 | 0.090 | 0.236 | 0.370 | – | 0.13 | 3,892 |
| 25-2* | 0.250 | 0.125 | 0.130 | 0.090 | 0.236 | 0.630 | 0.252 | 0.24 | 7,784 |
| 35-1* | 0.375 | 0.188 | 0.200 | 0.141 | 0.354 | 0.560 | – | 0.31 | 9,341 |
| 35-2* | 0.375 | 0.188 | 0.200 | 0.141 | 0.354 | 0.960 | 0.399 | 0.67 | 18,683 |
| 35-3* | 0.375 | 0.188 | 0.200 | 0.141 | 0.354 | 1.360 | 0.399 | 1.01 | 28,024 |
| 40-1 | 0.500 | 0.313 | 0.312 | 0.156 | 0.472 | 0.720 | – | 0.61 | 17,792 |
| 40-2 | 0.500 | 0.313 | 0.312 | 0.156 | 0.472 | 1.290 | 0.566 | 1.19 | 35,584 |
| 40-3 | 0.500 | 0.313 | 0.312 | 0.156 | 0.472 | 1.850 | 0.566 | 1.79 | 56,376 |
| 41-1 | 0.500 | 0.250 | 0.306 | 0.141 | 0.390 | 0.650 | – | 0.39 | 10,675 |
| 50-1 | 0.625 | 0.375 | 0.400 | 0.200 | 0.594 | 0.890 | – | 1.01 | 29,356 |

* Bush Chain: d_1 in the table indicates the external diameter of the bush

* Continued

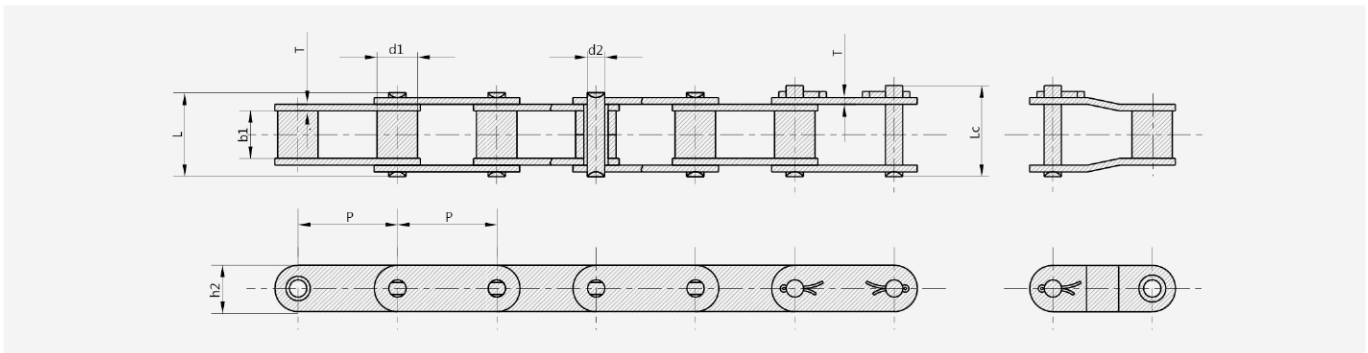
| Chain No. | Pitch P [mm] | Roller width b1 [mm] | Roller diameter d1 [mm] | Pin diameter d2 [mm] | Side plates height g [mm] | Over-All pin & cotter a1 [mm] | Transverse pitch e [mm] | Weight [Kg/m] | Tensile strength [N] |
|-----------|--------------|----------------------|-------------------------|----------------------|---------------------------|-------------------------------|-------------------------|---------------|----------------------|
| 50-2 | 0.625 | 0.375 | 0.400 | 0.200 | 0.594 | 1.600 | 0.713 | 1.96 | 58,713 |
| 50-3 | 0.625 | 0.375 | 0.400 | 0.200 | 0.594 | 2.310 | 0.713 | 2.95 | 88,070 |
| 50-4 | 0.625 | 0.375 | 0.400 | 0.200 | 0.594 | 3.030 | 0.713 | 3.93 | 117,427 |
| 60-1 | 0.750 | 0.500 | 0.469 | 0.234 | 0.709 | 1.110 | – | 1.47 | 37,808 |
| 60-2 | 0.750 | 0.500 | 0.469 | 0.234 | 0.709 | 2.010 | 0.897 | 2.9 | 75,616 |
| 60-3 | 0.750 | 0.500 | 0.469 | 0.234 | 0.709 | 2.910 | 0.897 | 4.29 | 113,424 |
| 60-4 | 0.750 | 0.500 | 0.469 | 0.234 | 0.709 | 3.810 | 0.897 | 5.8 | 151,232 |
| 80-1 | 1.000 | 0.625 | 0.625 | 0.312 | 0.945 | 1.440 | – | 2.57 | 64,446 |
| 80-2 | 1.000 | 0.625 | 0.625 | 0.312 | 0.945 | 2.590 | 1.153 | 5.04 | 128,992 |
| 80-3 | 1.000 | 0.625 | 0.625 | 0.312 | 0.945 | 3.740 | 1.153 | 7.47 | 193,488 |
| 100-1 | 1.250 | 0.750 | 0.750 | 0.375 | 1.181 | 1.730 | – | 3.73 | 106,752 |
| 100-2 | 1.250 | 0.750 | 0.750 | 0.375 | 1.181 | 3.140 | 1.408 | 7.31 | 213,504 |
| 100-3 | 1.250 | 0.750 | 0.750 | 0.375 | 1.181 | 4.560 | 1.408 | 11.01 | 320,256 |
| 120-1 | 1.500 | 1.000 | 0.875 | 0.437 | 1.406 | 2.140 | – | 5.49 | 151,232 |
| 120-2 | 1.500 | 1.000 | 0.875 | 0.437 | 1.406 | 3.930 | 1.789 | 10.94 | 302,464 |
| 120-3 | 1.500 | 1.000 | 0.875 | 0.437 | 1.406 | 5.720 | 1.789 | 16.52 | 453,696 |
| 140-1 | 1.750 | 1.000 | 1.000 | 0.500 | 1.663 | 2.310 | – | 7.450 | 172,400 |
| 140-2 | 1.750 | 1.000 | 1.000 | 0.500 | 1.663 | 4.240 | 1.924 | 14.390 | 344,800 |
| 140-3 | 1.750 | 1.000 | 1.000 | 0.500 | 1.663 | 6.160 | 1.924 | 21.320 | 517,200 |
| 160-1 | 2.000 | 1.250 | 1.125 | 0.562 | 1.899 | 2.730 | – | 9.740 | 226,800 |
| 160-2 | 2.000 | 1.250 | 1.125 | 0.562 | 1.899 | 5.040 | 2.305 | 19.120 | 453,600 |
| 160-3 | 2.000 | 1.250 | 1.125 | 0.562 | 1.899 | 7.350 | 2.305 | 28.370 | 680,400 |
| 180-1 | 2.250 | 1.406 | 1.406 | 0.687 | 2.132 | 3.150 | – | 13.510 | 280,200 |
| 180-2 | 2.250 | 1.406 | 1.406 | 0.687 | 2.132 | 5.750 | 2.592 | 26.340 | 560,500 |
| 200-1 | 2.500 | 1.500 | 1.562 | 0.781 | 2.312 | 3.440 | – | 15.880 | 353,800 |
| 200-2 | 2.500 | 1.500 | 1.562 | 0.781 | 2.312 | 6.260 | 2.817 | 32.050 | 707,600 |

S Type Steel Agricultural Chain



| Chain No. | Pitch P [mm] | Roller diameter d1 max [mm] | Width between inner plates b1 min [mm] | Pin diameter d2 max [mm] | Pin length L max [mm] | Pin length Lc max [mm] | Inner plate depth h2 max [mm] | Plate thickness T max [mm] | Ultimate tensile strength Q min [kN/lbf] | Average tensile strength q [kN] | Weight per meter q [kg/m] |
|-----------|--------------|-----------------------------|--|--------------------------|-----------------------|------------------------|-------------------------------|----------------------------|--|---------------------------------|---------------------------|
| S32 | 29.21 | 11.43 | 15.88 | 4.45 | 26.6 | 28.5 | 13.5 | 1.8 | 8.0/1818 | 21.6 | 0.86 |
| S32V | 29.21 | 11.43 | 15.88 | 5.08 | 27.3 | 29.7 | 13.5 | 2.1 | 25.0/5680 | 27.0 | 0.96 |
| S42 | 34.93 | 14.27 | 19.05 | 7.00 | 34.3 | 37.4 | 19.8 | 2.8 | 27.0/6136 | 50.8 | 1.60 |
| S45 | 41.40 | 15.24 | 22.23 | 5.72 | 37.7 | 40.3 | 17.3 | 2.8 | 18.0/4091 | 36.1 | 1.66 |
| S45R | 41.40 | 15.24 | 22.23 | 7.16 | 38.7 | 41.6 | 17.3 | 3.0 | 35.5/8068 | 40.1 | 1.70 |
| S51 | 38.10 | 15.24 | 16.00 | 5.72 | 31.1 | 33.7 | 17.3 | 2.8 | 28.0/6364 | 30.8 | 1.48 |
| S52L | 38.10 | 15.24 | 16.40 | 5.72 | 31.1 | 33.7 | 17.3 | 2.5 | 25.5/6636 | 32.2 | 1.36 |
| S52 | 38.10 | 15.24 | 22.23 | 5.72 | 37.7 | 40.3 | 17.3 | 2.8 | 18.0/4091 | 36.1 | 1.68 |
| S5V | 41.40 | 17.78 | 22.60 | 8.28 | 39.0 | 41.9 | 20.0 | 3.0 | 42.0/9546 | 45.0 | 2.22 |
| S55 | 41.40 | 17.78 | 22.23 | 5.72 | 37.7 | 40.3 | 17.3 | 2.8 | 18.0/4091 | 36.1 | 1.80 |
| S55R | 41.40 | 17.78 | 22.23 | 8.90 | 41.0 | 44.0 | 22.4 | 3.5 | 45.0/10227 | 73.1 | 2.49 |
| S55RH | 41.40 | 17.78 | 22.23 | 5.90 | 43.2 | 46.3 | 22.4 | 4.0 | 65.0/14772 | 84.5 | 2.74 |
| S62 | 41.91 | 19.05 | 26.20 | 5.72 | 40.3 | 43.0 | 17.3 | 2.5 | 26.7/6067 | 36.1 | 1.87 |
| S77 | 58.34 | 18.26 | 22.23 | 8.90 | 43.2 | 46.4 | 26.2 | 4.0 | 45.0/10227 | 73.1 | 2.66 |
| S88 | 66.27 | 22.86 | 28.58 | 8.90 | 49.8 | 53.0 | 26.2 | 4.0 | 45.0/10227 | 73.1 | 3.25 |
| CA642 | 41.40 | 15.88 | 19.05 | 8.28 | 36.1 | 39.1 | 21.2 | 3.0 | 50.0/11363 | 55.0 | 1.98 |
| CA643 | 41.40 | 15.88 | 22.20 | 8.28 | 41.0 | 44.1 | 21.2 | 4.0/3.0 | 60.0/13635 | 75.0 | 2.42 |

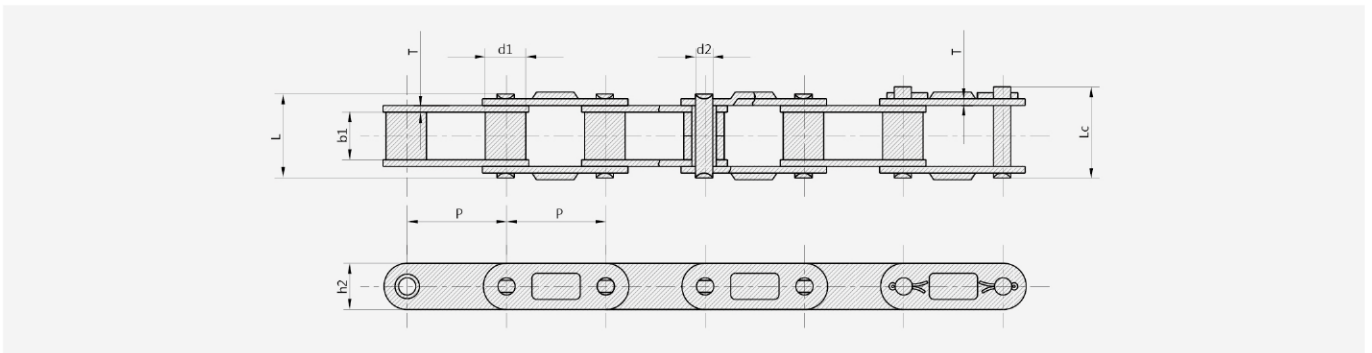
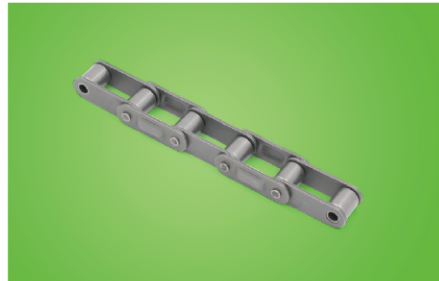
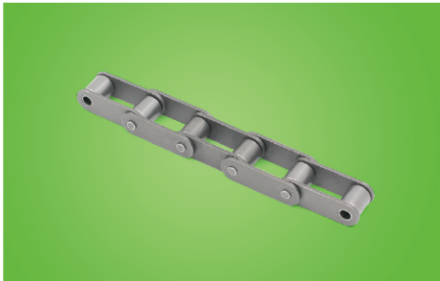
CA Type Steel Agricultural Chain



| Chain No. | Pitch P [mm] | Roller diameter d1 max [mm] | Width between inner plates b1 min [mm] | Pin diameter d2 max [mm] | Pin length L max [mm] | Pin length Lc max [mm] | Plate dimension h2 max [mm] | Plate dimension T max [mm] | Ultimate tensile strength Q min [kN/lbf] | Average tensile strength q [kN] | Weight per meter q [kg/m] |
|-----------|--------------|-----------------------------|--|--------------------------|-----------------------|------------------------|-----------------------------|----------------------------|--|---------------------------------|---------------------------|
| CA550 | 41.40 | 16.87 | 19.81 | 7.19 | 35.0 | 38.0 | 19.30 | 2.80 | 39.10/8886 | 51.2 | 1.94 |
| CA555V | 41.40 | 16.80 | 19.05 | 8.28 | 36.1 | 39.1 | 22.00 | 3.00 | 55.00/12499 | 68.7 | 2.24 |
| CA555 | 41.40 | 16.87 | 12.70 | 7.19 | 29.1 | 32.0 | 19.30 | 3.10 | 39.10/8886 | 56.0 | 1.72 |
| CA557 | 41.40 | 17.78 | 20.24 | 8.00 | 37.4 | 40.6 | 23.10 | 3.10 | 55.61/12639 | 74.3 | 2.60 |
| CA620 | 42.01 | 17.91 | 24.51 | 7.19 | 41.8 | 45.2 | 20.20 | 3.25 | 39.10/8886 | 55.1 | 2.35 |
| CA2060H | 38.10 | 11.91 | 12.70 | 5.94 | 29.2 | 31.6 | 18.00 | 3.25 | 31.10/6996 | 40.5 | 1.45 |
| CA2063H | 38.10 | 11.89 | 12.70 | 5.94 | 29.4 | 34.2 | 19.30 | 3.25 | 31.28/71.9 | 40.5 | 1.65 |
| CAE44151 | 28.575 | 15.88 | 16.20 | 7.92 | 33.5 | 36.9 | 22.20 | 3.25 | 58.80/13363 | 64.5 | 2.73 |
| 38.4R | 38.40 | 15.88 | 19.05 | 6.92 | 33.4 | 36.3 | 17.30 | 2.50 | 33.00/7480 | 41.2 | 1.70 |
| 38.4V | 38.40 | 15.88 | 18.00 | 6.92 | 34.8 | 37.8 | 17.30 | 3.00 | 40.00/9091 | 50.0 | 1.83 |
| CA624 | 38.40 | 15.88 | 19.05 | 8.28 | 36.1 | 39.1 | 20.50 | 3.00 | 50.00/11363 | 62.5 | 2.17 |
| S55H | 41.40 | 17.78 | 22.00 | 9.00 | 39.5 | 43.3 | 23.00 | 3.00 | 55.00/12633 | 72.6 | 6.94 |
| CA2050 | 31.75 | 10.16 | 9.40 | 5.08 | 20.7 | 22.2 | 15.09 | 2.03 | 22.20/5045 | 28.1 | 0.78 |
| CA2060 | 38.10 | 11.91 | 12.57 | 5.94 | 25.9 | 27.7 | 18.00 | 2.42 | 31.80/7227 | 36.8 | 1.12 |
| CA550HD | 41.40 | 16.66 | 19.48 | 8.28 | 36.8 | 40.3 | 19.81 | 3.10 | 39.11/8886 | 50.8 | 2.16 |
| CA550R | 41.40 | 16.87 | 19.80 | 7.19 | 36.3 | 39.3 | 19.30 | 3.10 | 57.70/13113 | 61.5 | 2.20 |



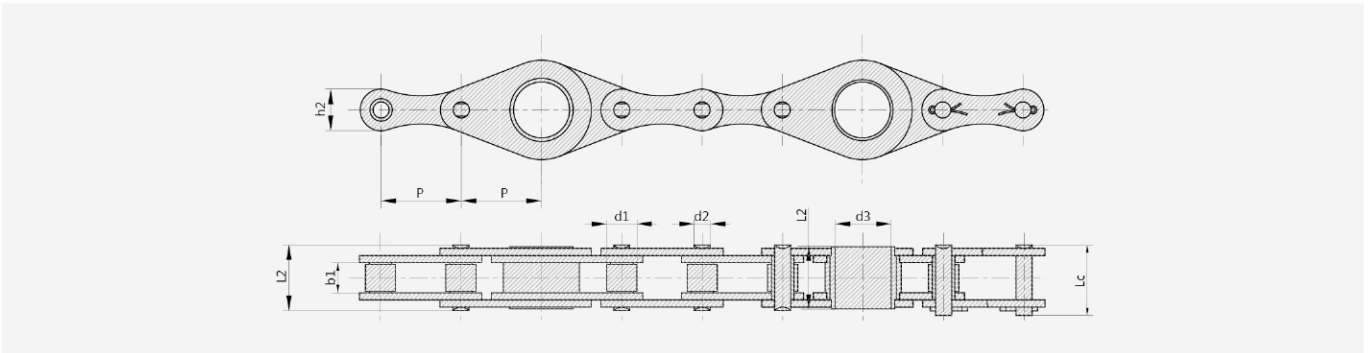
CA Type Steel Agricultural Chain



| Chain No. | Pitch P [mm] | Roller diameter d1 max [mm] | Width between inner plates b1 min [mm] | Pin diameter d2 max [mm] | Pin length L max [mm] | Pin length Lc max [mm] | Plate dimension B max [mm] | Plate dimension T max [mm] | Ultimate tensile strength Q min [kN/lbf] | Average tensile strength q [kN] | Weight per meter q [kg/m] |
|-----------|--------------|-----------------------------|--|--------------------------|-----------------------|------------------------|----------------------------|----------------------------|--|---------------------------------|---------------------------|
| CA2801 | 30.00 | 15.88 | 19.05 | 8.28 | 36.1 | 39.4 | 20.5 | 3.00 | 50.00/11247. | 55.0 | 2.51 |
| CA550D | 41.40 | 16.87 | 19.81 | 7.19 | 35.0 | 38.0 | 19.3 | 2.80 | 39.10/8886 | 51.2 | 1.94 |
| CA555D | 41.40 | 16.87 | 12.70 | 7.19 | 29.1 | 32.0 | 19.3 | 3.10 | 38.10/8886 | 56.0 | 1.72 |
| CA557D | 41.40 | 17.78 | 20.24 | 8.00 | 37.4 | 40.6 | 23.1 | 3.10 | 55.61/12639 | 74.3 | 2.60 |
| CA620D | 42.01 | 17.91 | 24.51 | 7.19 | 41.8 | 45.2 | 20.2 | 3.25 | 39.10/8886 | 55.1 | 2.35 |



CA Type Steel Agricultural Chain



| Chain No. | Pitch P [mm] | Roller diameter d1 max [mm] | Width between inner plates b1 min [mm] b1 max [mm] | Pin diameter d2 max [mm] | Hollow pin inner diameter d3 min [mm] d3 max [mm] | Pin length L max [mm] | Pin length L2 max [mm] | Pin length Lc max [mm] | Inner plate depth T max [mm] | Ultimate tensile strength q min [kN/lbf] | Average tensile strength Q0 [kN] |
|-----------|--------------|-----------------------------|---|--------------------------|--|-----------------------|------------------------|------------------------|------------------------------|--|----------------------------------|
| CA650 | 50.8 | 19.05 | 19.05 | 10.19 | 35.4 | 41.5 | 38.0 | 44.5 | 26.4 | 70.8 | 99.0 |

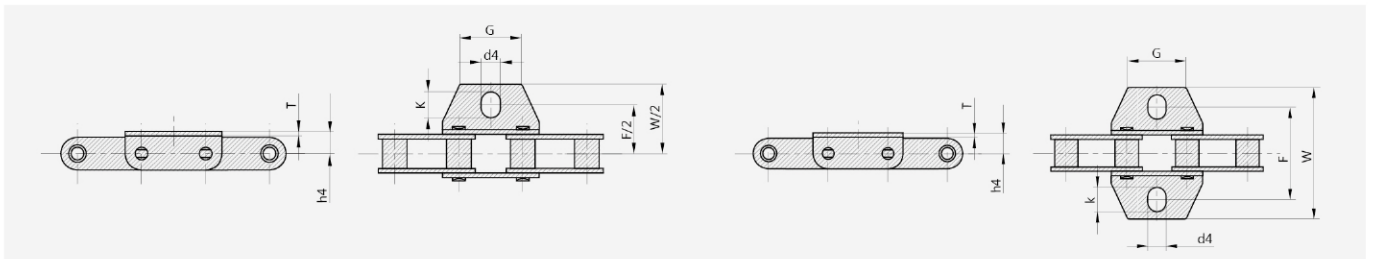


C Type Steel Agricultural Chain Attachments



A1

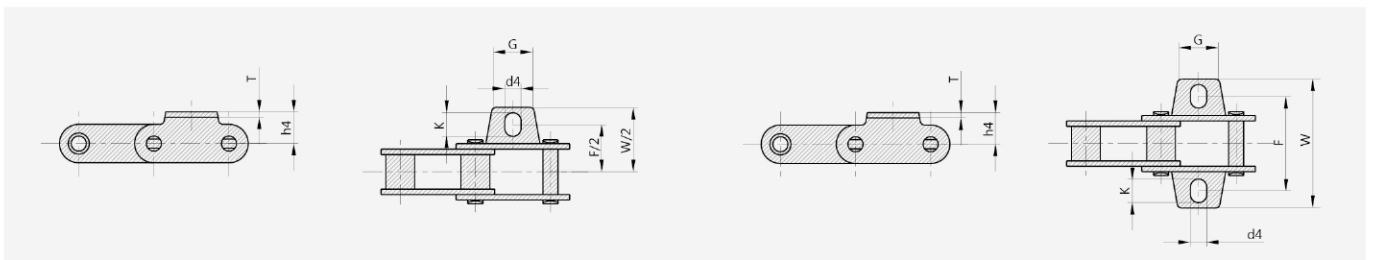
K1



| Att. No. | Chain No. | G [mm] | F [mm] | W [mm] | d4 [mm] | K [mm] | h4 [mm] | T [mm] |
|----------|-----------|--------|--------|--------|---------|--------|---------|--------|
| A1 K1 | CA624 | 29.0 | 58.00 | 87.0 | 10.5 | 12.50 | 14.0 | 3.0 |

A1F1/A1

K1F1/K1



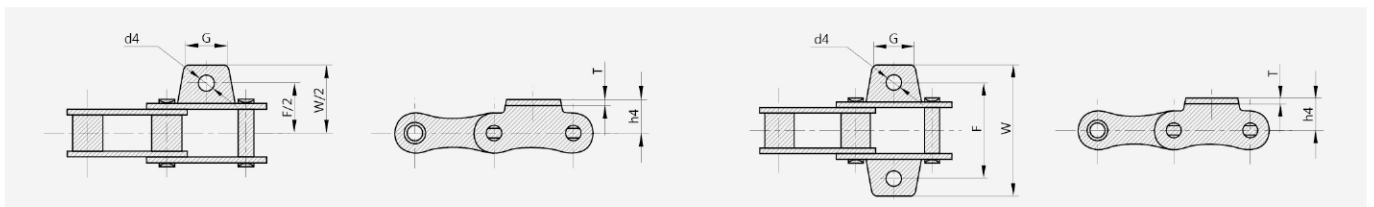
| Att. No. | Chain No. | G [mm] | F [mm] | W [mm] | d4 [mm] | K [mm] | h4 [mm] | T [mm] |
|-----------|-----------|--------|--------|--------|---------|--------|---------|--------|
| A1F1 K1F1 | 38.4V | 22.0 | 57.5 | 82.0 | 9.0 | 11.0 | 15.4 | 3.0 |
| A1 K1 | CA550 | 22.0 | 52.5 | 76.2 | 8.3 | 10.0 | 12.7 | 2.8 |
| A1 K1 | CA555 | 22.0 | 52.5 | 76.2 | 8.3 | 10.0 | 12.7 | 3.1 |

C Type Steel Agricultural Chain Attachments



A220

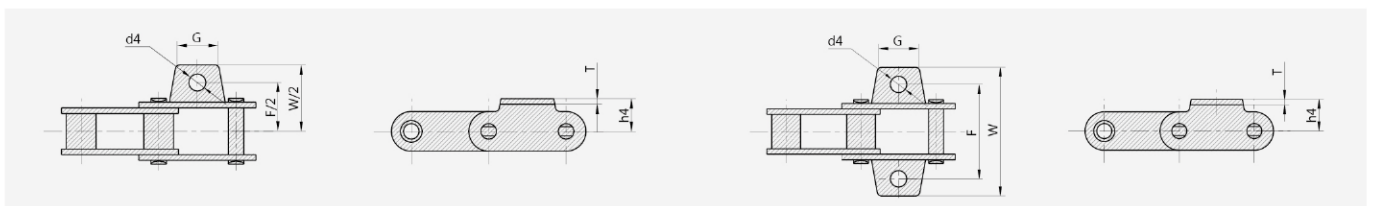
K220



| Att. No. | Chain No. | G [mm] | F [mm] | W [mm] | d4 [mm] | h4 [mm] | T [mm] |
|-----------|-----------|--------|--------|--------|---------|---------|--------|
| A220 K220 | CA413 | 22.0 | 70.5 | 90.0 | 8.5 | 16.0 | 3.0 |

A1/A1F1/A27/A27S/A29

K1/K1F1/K27/K27S/K29

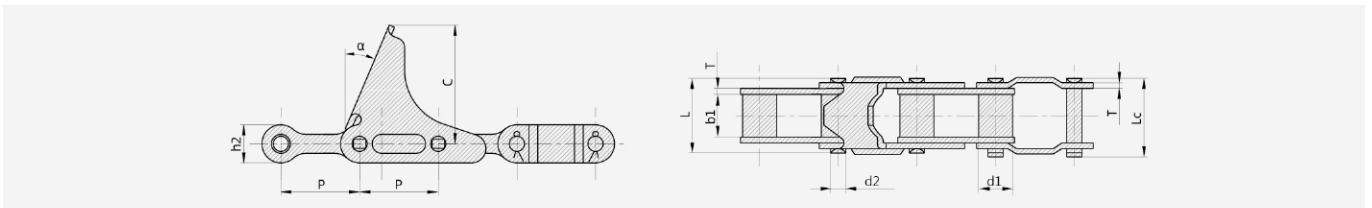


| Att. No. | Chain No. | G [mm] | F [mm] | W [mm] | d4 [mm] | h4 [mm] | T [mm] |
|-----------|-----------|--------|--------|--------|---------|---------|--------|
| A1 K1 | 38.4V | 22.0 | 57.5 | 82.0 | 9.0 | 15.4 | 3.0 |
| A1 K1 | CA550V | 27.0 | 54.0 | 75.54 | 8.5 | 16.5 | 3.0 |
| A1F1 K1F1 | CA550V | 27.0 | 50.8 | 75.54 | 8.5 | 16.5 | 3.0 |
| A27 K27 | CA550 | 22.2 | 53.9 | 71.4 | 8.7 | 12.7 | 2.8 |
| A27S K27S | CA550 | 22.2 | 53.9 | 71.4 | 10.3 | 12.7 | 2.8 |
| A29 K29 | CA550 | 22.2 | 50.8 | 71.4 | 10.3 | 12.7 | 2.8 |

C Type Steel Agricultural Chain Attachments

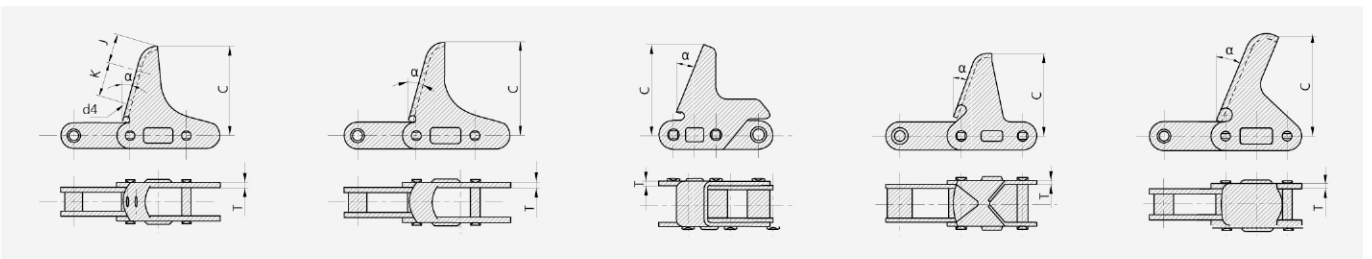


C5E/C6E



| Att. No. | Chain No. | Pitch P [mm] | Roller diameter d1 max [mm] | Width between inner plates b1 min [mm] | Pin diameter d2 max [mm] | Pin length L max [mm] | Pin length Lc max [mm] | Plate dimension h2 max [mm] | Plate dimension t/T max [mm] | Attachment dimension C [mm] | Attachment dimension α | Ultimate tensile strength Q min [kN/lbf] | Average tensile strength q [kN] |
|----------|-----------|--------------|-----------------------------|--|--------------------------|-----------------------|------------------------|-----------------------------|------------------------------|-----------------------------|-------------------------------|--|---------------------------------|
| C5E | ZGS41.4 | 41.4 | 17.85 | 23.0 | 8.2 | 39.5 | 41.4 | 20.0 | 3.0 | 62.5 | 23° | 39.1/8795 | 2.82 |
| C6E | ZGS41.4 | 41.4 | 17.85 | 23.0 | 8.2 | 39.5 | 41.4 | 20.0 | 3.0 | 84.0 | 23° | 39.1/8795 | 2.99 |

C6E/C6E/C6EJ/C6E/C6E



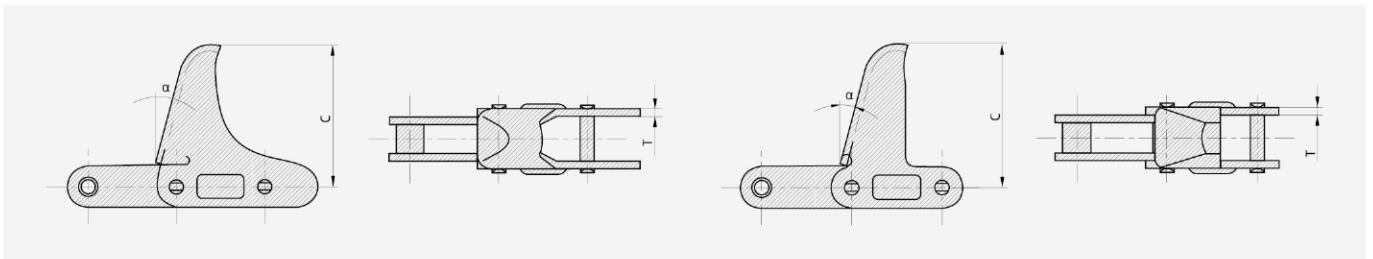
| Att. No. | Chain No. | α | C [mm] | K [mm] | J [mm] | d4 [mm] | T [mm] |
|----------|-----------|----------|--------|--------|--------|---------|--------|
| C6E | CA550 | 20.0° | 55.60 | | | | 2.8 |
| C6E | CA555 | 15.0° | 63.50 | | | | 3.1 |
| C6EJ | CA555 | 15.0° | 66.00 | 25.5 | 21.5 | 7.0 | 3.1 |
| C6E | CA2060H | 22.5° | 63.50 | | | | 3.25 |
| C6E | CA2801 | 22.0° | 63.85 | | | | 3.0 |

C Type Steel Agricultural Chain Attachments



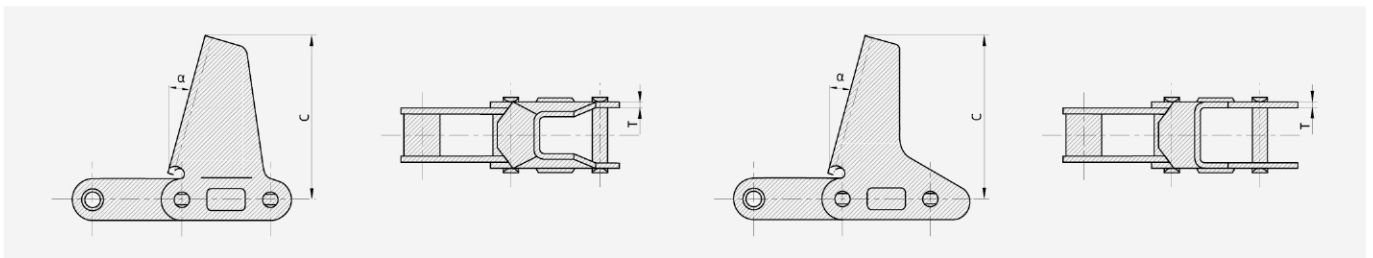
C11E

C13E/C13E



C17E

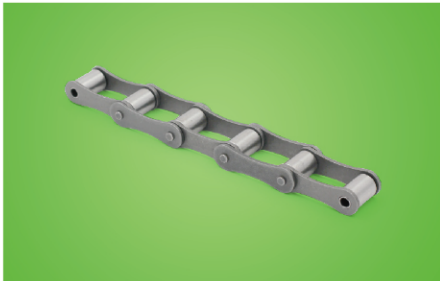
C17E



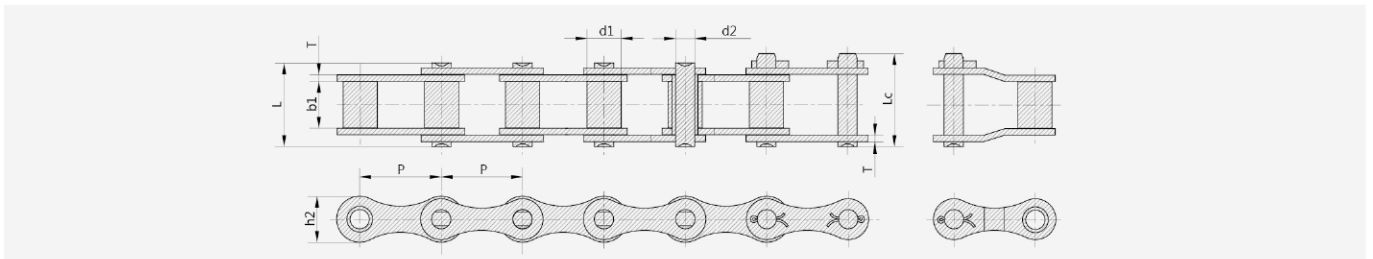
| Att. No. | Chain No. | α | C [mm] | T [mm] |
|----------|-----------|----------|--------|--------|
| C11E | CA550 | 17.0° | 63.5 | 2.80 |
| C13E | CA620 | 15.0° | 92.1 | 3.25 |
| C13E | CA550 | 15.0° | 92.1 | 2.80 |
| C17E | CA550 | 20.0° | 76.2 | 2.80 |
| C17E | CA555 | 22.5° | 76.2 | 3.25 |



ZGS38 Combine Chain With Attachments

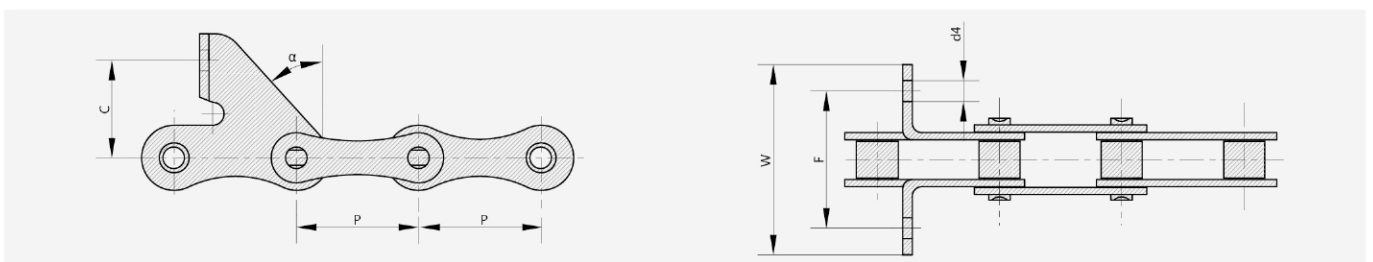


ZGS38



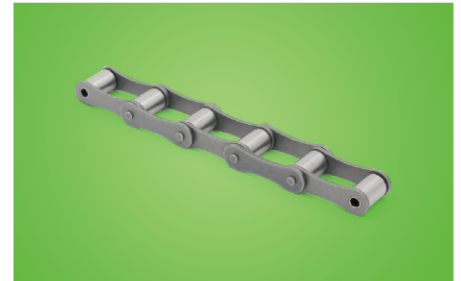
| Chain No. | Pitch P [mm] | Roller diameter d1 max [mm] | Width between inner plates b1 min [mm] | Pin diameter d2 max [mm] | Pin length L max [mm] | Pin length Lc max [mm] | Innerplate depth h2 max [mm] | Plate thickness T max [mm] | Ultimate tensile strength Q min [kN/lbf] | Average tensile strength Q0 [kN] | Weight per meter q [kg/m] |
|-----------|--------------|-----------------------------|--|--------------------------|-----------------------|------------------------|------------------------------|----------------------------|--|----------------------------------|---------------------------|
| ZGS38 | 38.0 | 16.0 | 22.00 | 9.0 | 39.0 | 43.0 | 21.5 | 3.0 | 40.0/9091 | 55.3 | 2.00 |

ZGS38F3

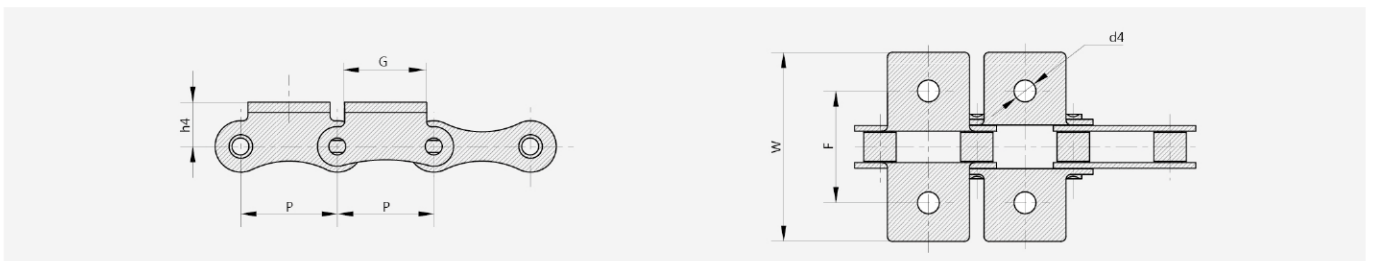


| Chain No. | P [mm] | C [mm] | F [mm] | W [mm] | alpha | d4 [mm] |
|-----------|--------|--------|--------|--------|-------|---------|
| ZGS38F3 | 38.0 | 30.0 | 52.00 | 68.4 | 43.5° | 6.5 |

ZGS38 Combine Chain With Attachments

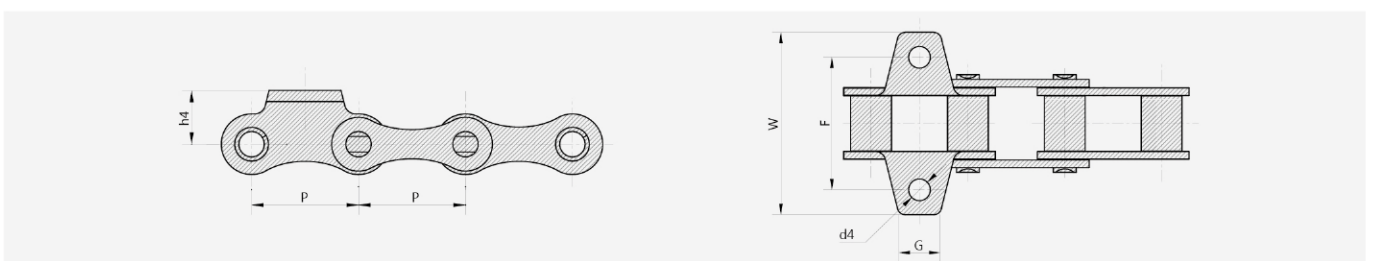


ZGS38K1



| Chain No. | P [mm] | G [mm] | F [mm] | W [mm] | h4 [mm] | d4 [mm] |
|-----------|--------|--------|--------|--------|---------|---------|
| ZGS38K1 | 38.0 | 32.0 | 53.00 | 93.2 | 20.0 | 8.5 |

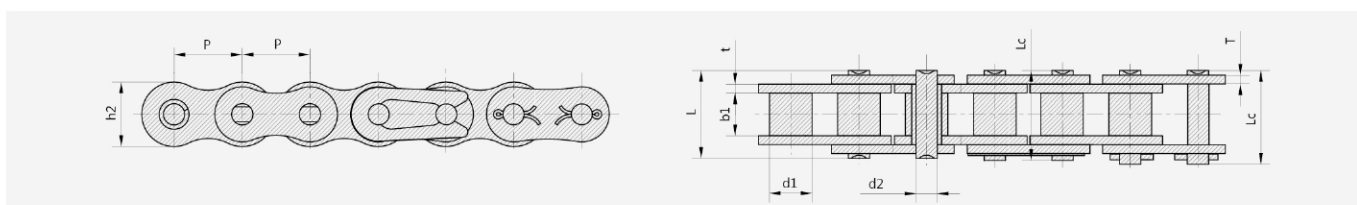
ZGS38K1F1/ZGS38K1F2/ZGS38K1F3



| Chain No. | P [mm] | G [mm] | F [mm] | W [mm] | h4 [mm] | d4 [mm] |
|-----------|--------|--------|--------|--------|---------|---------|
| ZGS38K1F1 | 38.0 | 16.0 | 52.00 | 71.5 | 19.6 | 11.0 |
| ZGS38K1F2 | 38.0 | 16.0 | 52.00 | 74.6 | 19.6 | 8.5 |
| ZGS38K1F3 | 38.0 | 20.0 | 52.00 | 72.0 | 17.0 | 8.4 |

Stainless Steel

Roller Chains



| Chain No. | Pitch P [mm] | Roller diameter d1 max [mm] | Width between inner plates b1 min [mm] | Pin diameter d2 max [mm] | Pin length L max [mm] | Pin length Lc max [mm] | Innerplate depth h2 max [mm] | Plate thickness T max [mm] | Breaking load Q [kN/lbf] | Weight per meter q [kg/m] |
|-----------|--------------|-----------------------------|--|--------------------------|-----------------------|------------------------|------------------------------|----------------------------|--------------------------|---------------------------|
| *04CSS | 6.350 | 3.30 | 3.18 | 2.31 | 7.90 | 8.40 | 6.00 | 0.80 | 2.5/568 | 0.15 |
| *06CSS | 9.525 | 5.08 | 4.77 | 3.58 | 12.40 | 13.17 | 9.00 | 1.30 | 5.5/1250 | 0.33 |
| 08ASS | 12.700 | 7.95 | 7.85 | 3.96 | 16.60 | 17.80 | 12.00 | 1.50 | 9.6/2182 | 0.63 |
| 41SS | 12.700 | 7.77 | 6.25 | 3.58 | 13.75 | 15.00 | 9.91 | 1.30 | 6.0/1360 | 0.46 |
| 10ASS | 15.875 | 10.16 | 9.40 | 5.08 | 20.70 | 22.20 | 15.09 | 2.03 | 15.2/3455 | 1.03 |
| 12ASS | 19.050 | 11.91 | 12.57 | 5.94 | 25.90 | 27.70 | 18.00 | 2.42 | 21.7/4932 | 1.51 |
| 16ASS | 25.400 | 15.88 | 15.75 | 7.92 | 32.70 | 35.00 | 24.00 | 3.25 | 38.9/8841 | 2.62 |
| 20ASS | 31.750 | 19.05 | 18.90 | 9.53 | 40.40 | 44.70 | 30.00 | 4.00 | 60.0/13636 | 3.94 |
| 24ASS | 38.100 | 22.23 | 25.22 | 11.10 | 50.30 | 54.30 | 35.70 | 4.80 | 72.5/16477 | 5.72 |
| 28ASS | 44.450 | 25.40 | 25.22 | 12.70 | 54.40 | 59.00 | 41.0 | 5.60 | 94.0/21363 | 7.70 |
| 04BSS | 6.000 | 4.00 | 2.80 | 1.85 | 6.80 | 7.80 | 5.00 | 0.60 | 2.0/455 | 0.11 |
| 05BSS | 8.000 | 5.00 | 3.00 | 2.31 | 8.20 | 8.90 | 7.10 | 0.80 | 3.5/795 | 0.20 |
| #06BSS | 9.525 | 6.35 | 5.72 | 3.28 | 13.15 | 14.10 | 8.20 | 1.30 | 6.2/1409 | 0.41 |
| 08BSS | 12.700 | 8.51 | 7.75 | 4.45 | 16.70 | 18.20 | 11.80 | 1.60 | 12.0/2727 | 0.70 |
| 10BSS | 15.875 | 10.16 | 9.65 | 5.08 | 19.50 | 20.90 | 14.70 | 1.70 | 14.5/3295 | 0.94 |
| 12BSS | 19.050 | 12.07 | 11.68 | 5.72 | 22.50 | 24.20 | 16.00 | 1.85 | 18.5/4205 | 1.16 |
| 16BSS | 25.400 | 15.88 | 17.02 | 8.28 | 36.10 | 37.40 | 21.00 | 4.15/3.1 | 40.0/9091 | 2.73 |
| 20BSS | 31.750 | 19.05 | 19.56 | 10.19 | 41.30 | 45.00 | 26.40 | 4.5/3.5 | 59.0/13409 | 3.73 |
| 24BSS | 38.100 | 25.40 | 25.40 | 14.63 | 53.40 | 57.80 | 33.20 | 6.0/4.8 | 104.0/25454 | 7.20 |
| 32BSS | 50.800 | 29.21 | 30.99 | 17.81 | 66.00 | 71.00 | 42.00 | 7.0/6.0 | 150.0/34090 | 10.22 |

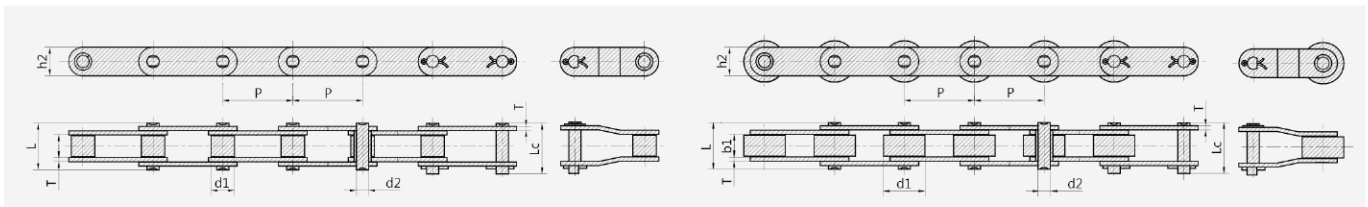
* Bush Chain: d1 in the table indicates the external diameter of the bush
 # Straight Side Plates

Double Pitch Conveyor Chain



Small Roller Type

Large Roller Type

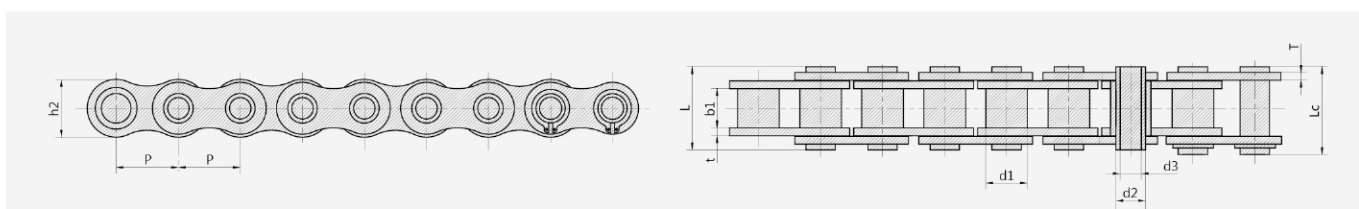


| Chain No. | Pitch P [mm] | Roller diameter d1 max [mm] | Width between inner plates b1 min [mm] | Pin diameter d2 max [mm] | Pin length L max [mm] | Pin length Lc max [mm] | Innerplate depth h2 max [mm] | Plate thickness T max [mm] | Breaking load Q [kN/lbf] | Weight per meter q [kg/m] |
|-----------|--------------|-----------------------------|--|--------------------------|-----------------------|------------------------|------------------------------|----------------------------|--------------------------|---------------------------|
| C2040SS | 25.40 | 7.95 | 7.85 | 3.96 | 16.6 | 17.8 | 12.0 | 1.50 | 9.6/2182 | 0.51 |
| C2042SS | 25.40 | 15.88 | 7.85 | 3.96 | 16.6 | 17.8 | 12.0 | 1.50 | 9.6/2182 | 0.85 |
| C2040HSS | 25.40 | 7.95 | 7.85 | 3.96 | 18.8 | 19.9 | 12.0 | 2.03 | 9.6/2182 | 0.66 |
| C208BSS | 25.40 | 8.51 | 7.75 | 4.45 | 16.7 | 18.2 | 11.8 | 1.60 | 12.0/2727 | 0.56 |
| C208BLSS | 25.40 | 15.88 | 7.75 | 4.45 | 16.7 | 18.2 | 11.8 | 1.60 | 12.0/2727 | 0.90 |
| C2050SS | 31.75 | 10.16 | 9.40 | 5.08 | 20.7 | 22.2 | 15.0 | 2.03 | 15.2/3455 | 0.79 |
| C2052SS | 31.75 | 19.05 | 9.40 | 5.08 | 20.7 | 22.2 | 15.0 | 2.03 | 15.2/3455 | 1.29 |
| C2060SS | 38.10 | 11.91 | 12.57 | 5.94 | 25.9 | 27.7 | 18.0 | 2.42 | 21.7/4932 | 1.13 |
| C2062SS | 38.10 | 22.23 | 12.57 | 5.94 | 25.9 | 27.7 | 18.0 | 2.42 | 21.7/4932 | 1.63 |
| C2060HSS | 38.10 | 11.91 | 12.57 | 5.94 | 29.2 | 31.6 | 18.0 | 3.25 | 21.7/4932 | 1.46 |
| C2062HSS | 38.10 | 22.23 | 12.57 | 5.94 | 29.2 | 31.6 | 18.0 | 3.25 | 21.7/4932 | 2.10 |
| C2080SS | 50.80 | 15.88 | 15.75 | 7.92 | 32.7 | 36.5 | 24.0 | 3.25 | 38.9/8841 | 2.11 |
| C2082SS | 50.80 | 28.58 | 15.75 | 7.92 | 32.7 | 36.5 | 24.0 | 3.25 | 38.9/8841 | 3.16 |
| C2080HSS | 50.80 | 15.88 | 15.75 | 7.92 | 36.2 | 39.4 | 24.0 | 4.00 | 38.9/8841 | 2.57 |
| C2082HSS | 50.80 | 28.58 | 15.75 | 7.92 | 36.2 | 39.4 | 24.0 | 4.00 | 38.9/8841 | 3.63 |
| C2100SS | 63.50 | 19.05 | 18.90 | 9.53 | 40.4 | 44.7 | 30.0 | 4.00 | 60.0/13636 | 3.05 |
| C2102SS | 63.50 | 39.67 | 18.90 | 9.53 | 40.4 | 44.7 | 30.0 | 4.00 | 60.0/13636 | 4.89 |
| C2100HSS | 63.50 | 19.05 | 18.90 | 9.53 | 43.6 | 46.9 | 30.0 | 4.80 | 60.0/13636 | 3.61 |
| C2102HSS | 63.50 | 39.67 | 18.90 | 9.53 | 43.6 | 46.9 | 30.0 | 4.80 | 60.0/13636 | 5.45 |

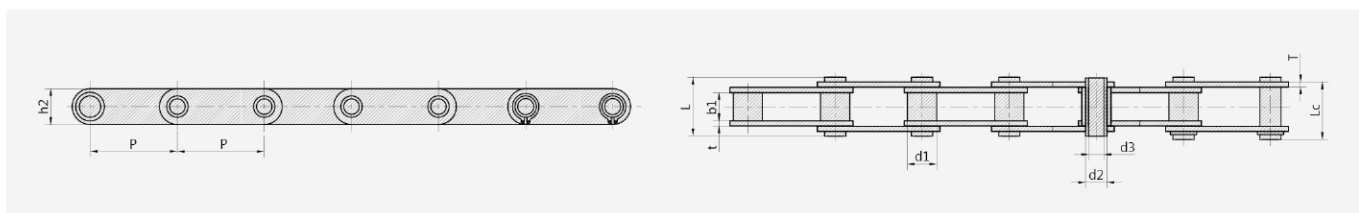
Hollow Pin Chain



Hollow Pin Chain **A Style**



Hollow Pin Chain **B Style**



| Chain No. | Pitch P [mm] | Bush diameter d1 max [mm] | Width between inner plates b1 min [mm] | Pin diameter d2 max [mm] | Pin diameter d3 min [mm] | Pin length L max [mm] | Pin length Lc max [mm] | Innerplate depth h2 max [mm] | Plate thickness T max [mm] | Breaking load Q min [kN/lbf] | Weight per meter q [kg/m] | Type |
|-----------|--------------|---------------------------|--|--------------------------|--------------------------|-----------------------|------------------------|------------------------------|----------------------------|------------------------------|---------------------------|------|
| 08BHPFSS | 12.700 | 8.51 | 7.75 | 6.55 | 4.50 | 16.4 | 17.6 | 11.80 | 1.6/1.3 | 7.8/1773 | 0.57 | A |
| 40HPSS | 12.700 | 7.95 | 7.85 | 5.63 | 4.00 | 16.5 | 17.6 | 12.00 | 1.50 | 7.7/1750 | 0.55 | A |
| 50HPSS | 15.875 | 10.16 | 9.40 | 7.03 | 5.13 | 20.7 | 21.9 | 15.09 | 2.03 | 14.0/3182 | 0.92 | A |
| 60HPSS | 19.050 | 11.91 | 12.70 | 8.31 | 6.00 | 25.8 | 26.8 | 18.00 | 2.42 | 16.8/3818 | 1.31 | A |
| *12BHPSS | 19.050 | 12.07 | 11.68 | 6.50 | 4.00 | 21.6 | 22.8 | 15.90 | 1.85 | 16.5/3750 | 1.10 | A |
| 80HPSS | 25.400 | 15.88 | 15.75 | 11.40 | 8.05 | 32.5 | 33.8 | 24.00 | 3.25 | 35.0/7955 | 2.29 | A |
| C2040HPSS | 25.400 | 7.95 | 7.85 | 5.63 | 4.00 | 16.5 | 17.6 | 12.00 | 1.50 | 7.7/1750 | 0.47 | B |
| C2050HPSS | 31.750 | 10.16 | 9.40 | 7.22 | 5.12 | 20.5 | 21.8 | 15.00 | 2.03 | 14.3/3250 | 0.77 | B |
| C2060HPSS | 38.100 | 11.91 | 12.70 | 8.31 | 6.00 | 25.8 | 26.8 | 17.00 | 2.42 | 16.8/3818 | 1.03 | B |
| C2080HPSS | 50.800 | 15.88 | 15.75 | 11.40 | 8.05 | 32.5 | 33.8 | 24.00 | 3.25 | 35.0/7955 | 1.83 | B |
| *HB50.8SS | 50.800 | 30.00 | 10.50 | 11.40 | 8.20 | 27.4 | 28.6 | 26.00 | 3.10 | 35.0/7955 | 2.60 | A |

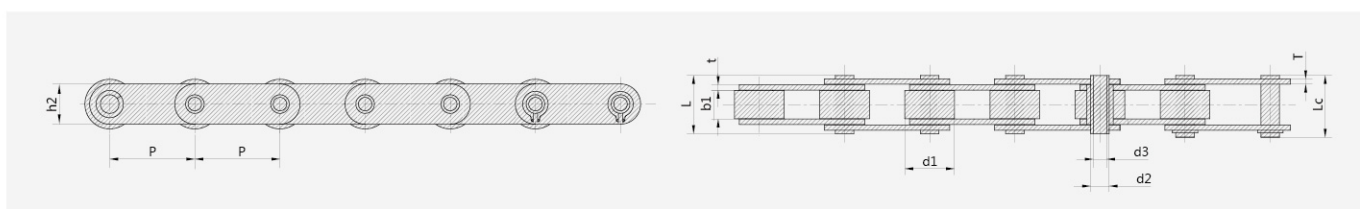
* Bush Chain: d1 in the table indicates the external diameter of the bush

Stainless Steel

Hollow Pin Chain



Hollow Pin Chain C Style



| Chain No. | Pitch P [mm] | Roller diameter d1 max [mm] | Width between inner plates b1 min [mm] | Pin diameter d2 max [mm] | Pin diameter d3 min [mm] | Pin length L max [mm] | Pin length Lc max [mm] | Innerplate depth h2 max [mm] | Plate thickness T max [mm] | Breaking load Q min [kN/lbf] | Weight per meter q [kg/m] |
|-------------|--------------|-----------------------------|--|--------------------------|--------------------------|-----------------------|------------------------|------------------------------|----------------------------|------------------------------|---------------------------|
| C2042HPSS | 25.40 | 15.88 | 7.85 | 5.63 | 4.00 | 16.5 | 17.6 | 12.0 | 1.50 | 7.7/1750 | 0.79 |
| C2052HPSS | 31.75 | 19.05 | 9.53 | 7.22 | 5.12 | 20.5 | 21.8 | 15.0 | 2.03 | 14.3/3250 | 1.27 |
| C2062HPSS | 38.10 | 22.23 | 12.70 | 8.31 | 6.00 | 25.8 | 26.8 | 17.0 | 2.42 | 16.8/3818 | 1.74 |
| C2082HPSS | 50.80 | 28.58 | 15.75 | 11.40 | 8.05 | 32.4 | 33.8 | 24.0 | 3.25 | 35.0/7955 | 2.86 |
| C2042H-HPSS | 25.40 | 15.88 | 7.85 | 5.63 | 4.00 | 18.8 | 19.9 | 12.0 | 2.03 | 7.7/1750 | 0.96 |
| C2052H-HPSS | 31.75 | 19.05 | 9.53 | 7.22 | 5.12 | 22.1 | 23.4 | 15.0 | 2.42 | 14.3/3250 | 1.46 |
| C2062H-HPSS | 38.10 | 22.23 | 12.70 | 8.31 | 6.00 | 29.2 | 30.2 | 17.0 | 3.25 | 16.8/3818 | 2.02 |
| C2082H-HPSS | 50.80 | 28.58 | 15.75 | 11.40 | 8.05 | 36.2 | 37.6 | 24.0 | 4.00 | 35.0/7955 | 3.30 |



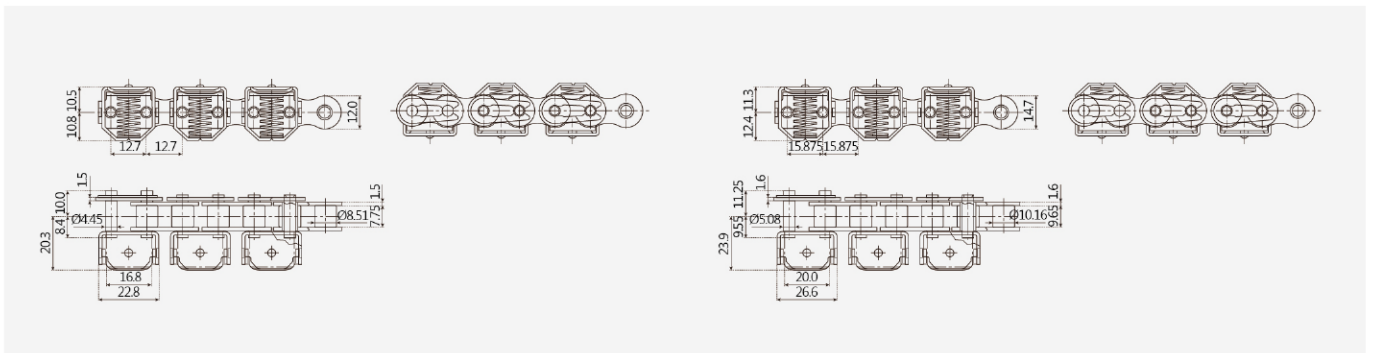
Stainless Steel

Gripper Chain



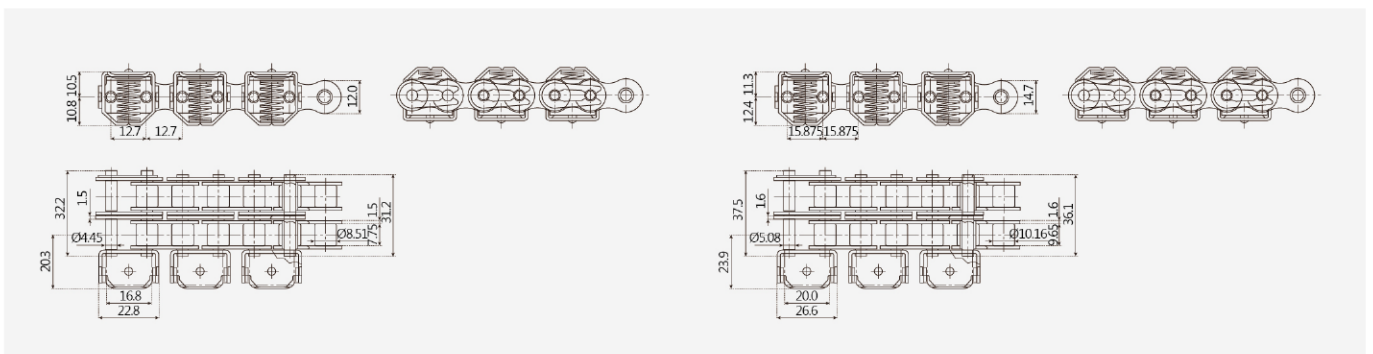
Gripper Chain **08B1SS**

Gripper Chain **10B1SS**



Gripper Chain **08B2SS**

Gripper Chain **10B2SS**

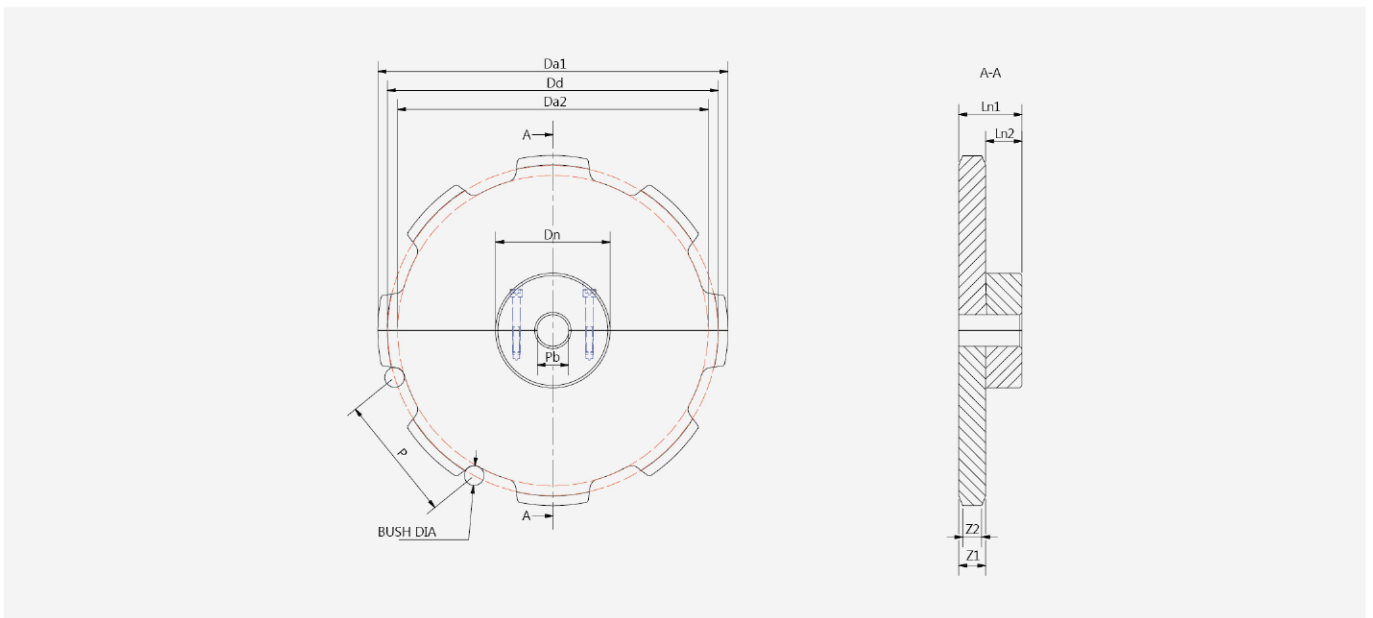


| Chain No. | Pitch p [mm] | Type | Spring load [N] | Breaking load [kN] |
|-----------|--------------|------|-----------------|--------------------|
| 08B1SS | 12.70 | M | 50 | 16.5 |
| 10B1SS | 15.875 | M | 70 | 20 |
| 08B2SS | 12.70 | M | 50 | 33 |
| 10B2SS | 15.875 | M | 70 | 40 |



Sprockets For Metric Conveyor Chains

DIN 8165 FV



| ISO Nr | Chain Pitch [mm] | z No. of teeth [pieces] | Dd [mm] | Da1 Outside [mm] | Da2 Tooth bottom dia [mm] | Bush dia [mm] | Dn Hub dia [mm] | Ln1 Total width [mm] | Ln2 Hub width [mm] | Z1 Plate thickness [mm] | Z2 Tooth peak width [mm] | Pre bore [mm] |
|--------|------------------|-------------------------|---------|------------------|---------------------------|---------------|-----------------|----------------------|--------------------|-------------------------|--------------------------|---------------|
| FV63 | 63 | 10 | 203.87 | 221.87 | 185.87 | 18 | – | 110 | 90 | 20 | 14 | 30 |
| FV63 | 63 | 16 | 322.93 | 340.93 | 304.93 | 18 | – | 125 | 105 | 20 | 14 | 30 |
| FV63 | 63 | 24 | 482.66 | 500.66 | 464.66 | 18 | – | 135 | 115 | 20 | 14 | 40 |
| FV63 | 63 | 40 | 802.97 | 820.97 | 784.97 | 18 | 185.87 | 165 | 145 | 20 | 14 | 40 |
| FV63 | 100 | 8 | 261.31 | 279.31 | 243.31 | 18 | 190 | 120 | 100 | 20 | 14 | 30 |
| FV63 | 100 | 10 | 323.61 | 341.61 | 305.61 | 18 | 255 | 125 | 105 | 20 | 14 | 30 |
| FV63 | 100 | 16 | 512.58 | 530.58 | 494.58 | 18 | 440 | 145 | 125 | 20 | 14 | 40 |
| FV63 | 100 | 24 | 766.13 | 784.13 | 748.13 | 18 | 695 | 155 | 135 | 20 | 14 | 40 |
| FV63 | 125 | 8 | 326.64 | 344.64 | 308.64 | 18 | 255 | 125 | 105 | 20 | 14 | 40 |
| FV63 | 125 | 10 | 404.51 | 422.51 | 386.51 | 18 | 335 | 135 | 115 | 20 | 14 | 40 |

* Continued

| ISO Nr | Chain Pitch [mm] | z No. of teeth [pieces] | Dd [mm] | Da1 Outside [mm] | Da2 Tooth bottom dia [mm] | Bush dia [mm] | Dn Hub dia [mm] | Ln1 Total width [mm] | Ln2 Hub width [mm] | Z1 Plate thickness [mm] | Z2 Tooth peak width [mm] | Pre bore [mm] |
|--------|------------------|-------------------------|---------|------------------|---------------------------|---------------|-----------------|----------------------|--------------------|-------------------------|--------------------------|---------------|
| FV63 | 125 | 12 | 482.96 | 500.96 | 464.96 | 18 | 410 | 135 | 115 | 20 | 14 | 40 |
| FV63 | 160 | 8 | 418.1 | 436.1 | 400.1 | 18 | 350 | 135 | 115 | 20 | 14 | 40 |
| FV63 | 160 | 10 | 517.78 | 535.78 | 499.78 | 18 | 448 | 145 | 125 | 20 | 14 | 40 |
| FV63 | 160 | 12 | 618.19 | 636.19 | 600.19 | 18 | 550 | 155 | 135 | 20 | 14 | 40 |
| FV90 | 63 | 10 | 203.87 | 223.87 | 183.87 | 20 | – | 120 | 99 | 21 | 14 | 30 |
| FV90 | 63 | 16 | 322.93 | 342.93 | 302.93 | 20 | – | 135 | 114 | 21 | 14 | 30 |
| FV90 | 63 | 24 | 482.66 | 502.66 | 462.66 | 20 | – | 145 | 124 | 21 | 14 | 40 |
| FV90 | 63 | 40 | 802.97 | 822.97 | 782.97 | 20 | – | 170 | 149 | 21 | 14 | 40 |
| FV90 | 100 | 7 | 230.48 | 250.48 | 210.48 | 20 | 140 | 125 | 104 | 21 | 17 | 30 |
| FV90 | 100 | 8 | 261.31 | 281.31 | 241.31 | 20 | 175 | 125 | 104 | 21 | 17 | 30 |
| FV90 | 100 | 10 | 323.61 | 343.61 | 303.61 | 20 | 240 | 135 | 114 | 21 | 17 | 30 |
| FV90 | 100 | 16 | 512.58 | 532.58 | 492.58 | 20 | 430 | 155 | 134 | 21 | 17 | 40 |
| FV90 | 100 | 24 | 766.13 | 786.13 | 746.13 | 20 | 680 | 165 | 144 | 21 | 17 | 40 |
| FV90 | 125 | 8 | 326.64 | 346.64 | 306.64 | 20 | 240 | 135 | 114 | 21 | 17 | 30 |
| FV90 | 125 | 10 | 404.51 | 424.51 | 384.51 | 20 | 320 | 145 | 124 | 21 | 17 | 30 |
| FV90 | 125 | 12 | 482.96 | 502.96 | 462.96 | 20 | 400 | 145 | 124 | 21 | 17 | 40 |
| FV90 | 160 | 8 | 418.1 | 438.1 | 398.1 | 20 | 330 | 145 | 124 | 21 | 17 | 40 |
| FV90 | 160 | 10 | 517.78 | 537.78 | 497.78 | 20 | 430 | 155 | 134 | 21 | 17 | 40 |
| FV90 | 160 | 12 | 618.19 | 638.19 | 598.19 | 20 | 530 | 165 | 144 | 21 | 17 | 50 |
| FV90 | 200 | 8 | 522.62 | 542.62 | 502.62 | 20 | 438 | 155 | 134 | 21 | 17 | 40 |
| FV90 | 200 | 10 | 647.22 | 667.22 | 627.22 | 20 | 560 | 160 | 139 | 21 | 17 | 40 |
| FV90 | 200 | 12 | 772.74 | 792.74 | 752.74 | 20 | 685 | 170 | 149 | 21 | 17 | 50 |
| FV90 | 250 | 8 | 653.28 | 673.28 | 633.28 | 20 | 570 | 165 | 144 | 21 | 17 | 40 |
| FV90 | 250 | 10 | 809.03 | 829.03 | 789.03 | 20 | 725 | 170 | 149 | 21 | 17 | 50 |
| FV90 | 250 | 12 | 965.93 | 985.93 | 945.93 | 20 | 880 | 170 | 149 | 21 | 17 | 50 |
| FV112 | 100 | 8 | 261.31 | 283.31 | 239.31 | 22 | 165 | 125 | 98 | 27 | 21 | 30 |
| FV112 | 100 | 10 | 323.61 | 345.61 | 301.61 | 22 | 225 | 145 | 118 | 27 | 21 | 30 |
| FV112 | 100 | 16 | 512.58 | 534.58 | 490.58 | 22 | 415 | 165 | 138 | 27 | 21 | 40 |
| FV112 | 100 | 24 | 766.13 | 788.13 | 744.13 | 22 | 660 | 170 | 143 | 27 | 21 | 40 |
| FV112 | 125 | 8 | 326.64 | 348.64 | 304.64 | 22 | 230 | 145 | 118 | 27 | 21 | 30 |
| FV112 | 125 | 10 | 404.51 | 426.51 | 382.51 | 22 | 310 | 155 | 128 | 27 | 21 | 30 |
| FV112 | 125 | 12 | 482.96 | 504.96 | 460.96 | 22 | 385 | 155 | 128 | 27 | 21 | 40 |
| FV112 | 160 | 8 | 418.1 | 440.1 | 396.1 | 22 | 320 | 155 | 128 | 27 | 21 | 40 |
| FV112 | 160 | 10 | 517.78 | 539.78 | 495.78 | 22 | 420 | 165 | 138 | 27 | 21 | 40 |
| FV112 | 160 | 12 | 618.19 | 640.19 | 596.19 | 22 | 520 | 170 | 143 | 27 | 21 | 40 |
| FV112 | 200 | 8 | 522.62 | 544.62 | 500.62 | 22 | 425 | 165 | 138 | 27 | 21 | 40 |
| FV112 | 200 | 10 | 647.22 | 669.22 | 625.22 | 22 | 550 | 170 | 143 | 27 | 21 | 40 |
| FV112 | 200 | 12 | 772.74 | 794.74 | 750.74 | 22 | 675 | 170 | 143 | 27 | 21 | 50 |
| FV140 | 100 | 8 | 261.31 | 287.31 | 235.31 | 26 | – | 125 | 93 | 32 | 21 | 30 |
| FV140 | 100 | 10 | 323.61 | 349.61 | 297.61 | 26 | – | 155 | 123 | 32 | 21 | 30 |
| FV140 | 100 | 16 | 512.58 | 538.58 | 486.58 | 26 | – | 170 | 138 | 32 | 21 | 40 |
| FV140 | 125 | 8 | 326.64 | 352.64 | 300.64 | 26 | 220 | 155 | 123 | 32 | 24 | 30 |
| FV140 | 125 | 10 | 404.51 | 430.51 | 378.51 | 26 | 295 | 165 | 133 | 32 | 24 | 30 |
| FV140 | 125 | 12 | 482.96 | 508.96 | 456.96 | 26 | 375 | 165 | 133 | 32 | 24 | 40 |
| FV140 | 160 | 8 | 41.1 | 67.1 | 15.1 | 26 | 310 | 165 | 133 | 32 | 24 | 40 |

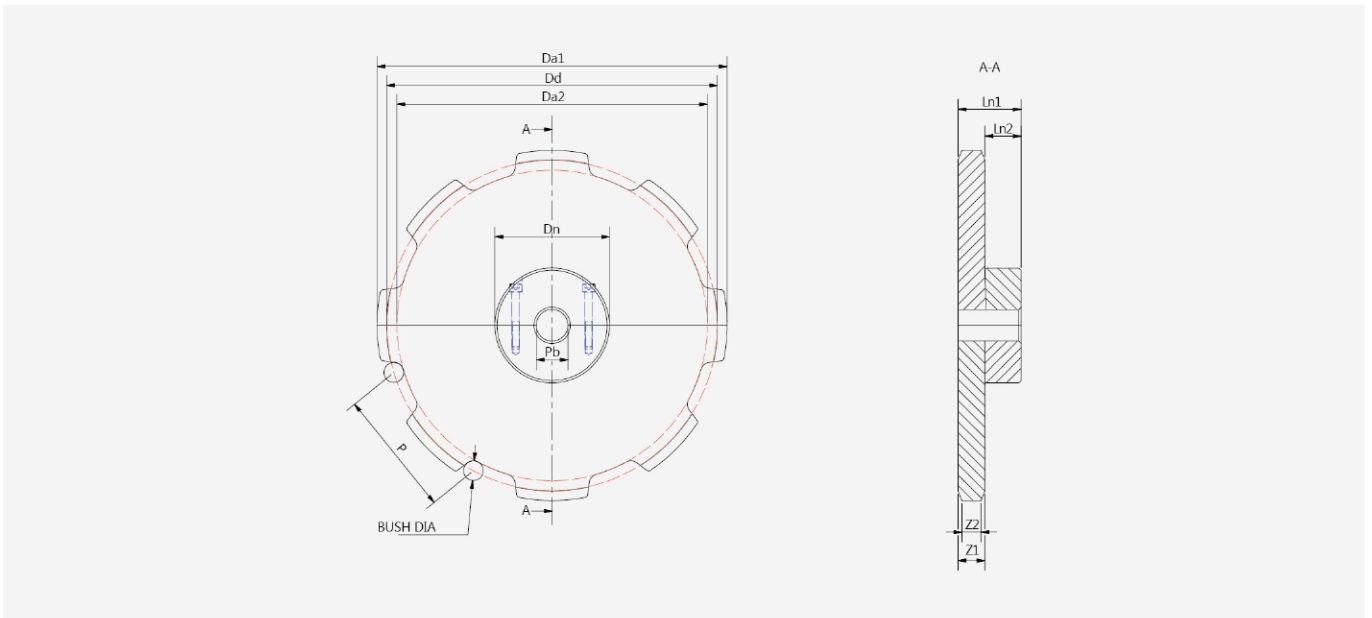
* Continued

| ISO Nr | Chain Pitch [mm] | z No. of teeth [pieces] | Dd [mm] | Da1 Outside [mm] | Da2 Tooth bottom dia [mm] | Bush dia [mm] | Dn Hub dia [mm] | Ln1 Total width [mm] | Ln2 Hub width [mm] | Z1 Plate thickness [mm] | Z2 Tooth peak width [mm] | Pre bore [mm] |
|--------|------------------|-------------------------|---------|------------------|---------------------------|---------------|-----------------|----------------------|--------------------|-------------------------|--------------------------|---------------|
| FV140 | 160 | 10 | 517.78 | 543.78 | 491.78 | 26 | 410 | 170 | 138 | 32 | 24 | 40 |
| FV140 | 160 | 12 | 618.19 | 644.19 | 592.19 | 26 | 510 | 180 | 148 | 32 | 24 | 40 |
| FV140 | 200 | 8 | 522.62 | 548.62 | 496.62 | 26 | 410 | 170 | 138 | 32 | 24 | 40 |
| FV140 | 200 | 10 | 647.22 | 673.22 | 621.22 | 26 | 540 | 180 | 148 | 32 | 24 | 50 |
| FV140 | 200 | 12 | 772.74 | 798.74 | 746.74 | 26 | 660 | 180 | 148 | 32 | 24 | 50 |
| FV140 | 250 | 8 | 653.28 | 679.28 | 627.28 | 26 | 540 | 180 | 148 | 32 | 24 | 50 |
| FV140 | 250 | 10 | 809.03 | 835.03 | 783.03 | 26 | 700 | 190 | 158 | 32 | 24 | 50 |
| FV140 | 250 | 12 | 965.93 | 991.93 | 939.93 | 26 | 860 | 200 | 168 | 32 | 24 | 50 |
| FV180 | 125 | 8 | 326.64 | 356.64 | 296.64 | 30 | – | 165 | 124 | 41 | 24 | 30 |
| FV180 | 125 | 10 | 404.51 | 434.51 | 374.51 | 30 | – | 170 | 129 | 41 | 24 | 30 |
| FV180 | 125 | 12 | 482.96 | 512.96 | 452.96 | 30 | – | 170 | 129 | 41 | 24 | 40 |
| FV180 | 160 | 8 | 418.1 | 448.1 | 388.1 | 30 | 285 | 165 | 124 | 41 | 33 | 40 |
| FV180 | 160 | 10 | 517.78 | 547.78 | 487.78 | 30 | 385 | 170 | 129 | 41 | 33 | 40 |
| FV180 | 160 | 12 | 618.19 | 648.19 | 588.19 | 30 | 485 | 180 | 139 | 41 | 33 | 40 |
| FV180 | 200 | 8 | 522.62 | 552.62 | 492.62 | 30 | 390 | 180 | 139 | 41 | 33 | 40 |
| FV180 | 200 | 10 | 647.22 | 677.22 | 617.22 | 30 | 515 | 190 | 149 | 41 | 33 | 40 |
| FV180 | 200 | 12 | 772.74 | 802.74 | 742.74 | 30 | 640 | 190 | 149 | 41 | 33 | 50 |
| FV180 | 250 | 8 | 653.28 | 683.28 | 623.28 | 30 | 520 | 190 | 149 | 41 | 33 | 60 |
| FV180 | 250 | 10 | 809.03 | 839.03 | 779.03 | 30 | 675 | 200 | 159 | 41 | 33 | 60 |
| FV180 | 250 | 12 | 965.93 | 995.93 | 935.93 | 30 | 835 | 210 | 169 | 41 | 33 | 60 |
| FV250 | 125 | 8 | 326.64 | 362.64 | 290.64 | 36 | – | 120 | 70 | 50 | 33 | 30 |
| FV250 | 125 | 10 | 404.51 | 440.51 | 368.51 | 36 | – | 190 | 140 | 50 | 33 | 30 |
| FV250 | 125 | 12 | 482.96 | 518.96 | 446.96 | 36 | – | 200 | 150 | 50 | 33 | 40 |
| FV250 | 160 | 8 | 418.1 | 454.1 | 382.1 | 36 | 245 | 190 | 140 | 50 | 39 | 40 |
| FV250 | 160 | 10 | 517.78 | 553.78 | 481.78 | 36 | 355 | 200 | 150 | 50 | 39 | 40 |
| FV250 | 160 | 12 | 618.19 | 654.19 | 582.19 | 36 | 455 | 210 | 160 | 50 | 39 | 40 |
| FV250 | 200 | 8 | 522.62 | 558.62 | 486.62 | 36 | 360 | 200 | 150 | 50 | 39 | 60 |
| FV250 | 200 | 10 | 647.22 | 683.22 | 611.22 | 36 | 485 | 210 | 160 | 50 | 39 | 60 |
| FV250 | 200 | 12 | 772.74 | 808.74 | 736.74 | 36 | 610 | 210 | 160 | 50 | 39 | 60 |
| FV250 | 250 | 8 | 653.28 | 689.28 | 617.28 | 36 | 490 | 210 | 160 | 50 | 39 | 60 |
| FV250 | 250 | 10 | 809.03 | 845.03 | 773.03 | 36 | 645 | 215 | 165 | 50 | 39 | 60 |
| FV250 | 250 | 12 | 865.93 | 901.93 | 829.93 | 36 | 800 | 225 | 175 | 50 | 39 | 60 |



Sprockets For Metric Conveyor Chains

DIN 8167 M



| ISO Nr | Chain Pitch [mm] | z No. of teeth [pieces] | Dd [mm] | Da1 Outside [mm] | Da2 Tooth bottom dia [mm] | Bush dia [mm] | Dn Hub dia [mm] | Ln1 Total width [mm] | Ln2 Hub width [mm] | Z1 Plate thickness [mm] | Z2 Tooth peak width [mm] | Pre bore [mm] |
|--------|------------------|-------------------------|---------|------------------|---------------------------|---------------|-----------------|----------------------|--------------------|-------------------------|--------------------------|---------------|
| M40 | 100 | 8 | 261.31 | 273.81 | 248.81 | 12.5 | 110 | 60 | 42 | 18 | 12 | 30 |
| M40 | 100 | 10 | 323.61 | 336.11 | 311.11 | 12.5 | 125 | 65 | 47 | 18 | 12 | 40 |
| M40 | 100 | 12 | 386.37 | 398.87 | 373.87 | 12.5 | 125 | 70 | 52 | 18 | 12 | 40 |
| M40 | 100 | 16 | 512.58 | 525.08 | 500.08 | 12.5 | 180 | 100 | 82 | 18 | 12 | 50 |
| M40 | 125 | 8 | 326.63 | 339.13 | 314.13 | 12.5 | 125 | 65 | 47 | 18 | 12 | 40 |
| M40 | 125 | 10 | 404.51 | 417.01 | 392.01 | 12.5 | 145 | 75 | 57 | 18 | 12 | 40 |
| M40 | 125 | 12 | 482.96 | 495.46 | 470.46 | 12.5 | 145 | 75 | 57 | 18 | 12 | 40 |
| M40 | 160 | 8 | 418.09 | 430.59 | 405.59 | 12.5 | 145 | 75 | 57 | 18 | 12 | 40 |
| M40 | 160 | 12 | 618.19 | 630.69 | 605.69 | 12.5 | 165 | 85 | 67 | 18 | 12 | 40 |
| M56 | 63 | 10 | 203.87 | 218.87 | 188.87 | 15 | 90 | 50 | 28 | 22 | 16 | 30 |

* Continued

| ISO Nr | Chain Pitch [mm] | z No. of teeth [pieces] | Dd [mm] | Da1 Outside [mm] | Da2 Tooth bottom dia [mm] | Bush dia [mm] | Dn Hub dia [mm] | Ln1 Total width [mm] | Ln2 Hub width [mm] | Z1 Plate thickness [mm] | Z2 Tooth peak width [mm] | Pre bore [mm] |
|--------|------------------|-------------------------|---------|------------------|---------------------------|---------------|-----------------|----------------------|--------------------|-------------------------|--------------------------|---------------|
| M56 | 63 | 16 | 322.92 | 337.92 | 307.92 | 15 | 135 | 65 | 43 | 22 | 16 | 40 |
| M56 | 63 | 24 | 482.66 | 497.66 | 467.66 | 15 | 145 | 65 | 43 | 22 | 16 | 40 |
| M56 | 63 | 40 | 802.96 | 817.96 | 787.96 | 15 | 180 | 100 | 78 | 22 | 16 | 50 |
| M56 | 80 | 8 | 209.05 | 224.05 | 194.05 | 15 | 90 | 50 | 28 | 22 | 16 | 30 |
| M56 | 80 | 10 | 258.89 | 273.89 | 243.89 | 15 | 110 | 60 | 38 | 22 | 16 | 30 |
| M56 | 80 | 16 | 410.06 | 425.06 | 395.06 | 15 | 125 | 80 | 58 | 22 | 16 | 40 |
| M56 | 80 | 24 | 612.9 | 627.9 | 597.9 | 15 | 145 | 90 | 68 | 22 | 16 | 40 |
| M56 | 100 | 8 | 261.31 | 276.31 | 246.31 | 15 | 100 | 60 | 38 | 22 | 16 | 30 |
| M56 | 100 | 10 | 323.61 | 338.61 | 308.61 | 15 | 125 | 65 | 43 | 22 | 16 | 40 |
| M56 | 100 | 12 | 386.37 | 401.37 | 371.37 | 15 | 135 | 70 | 48 | 22 | 16 | 40 |
| M56 | 100 | 16 | 512.58 | 527.58 | 497.58 | 15 | 145 | 80 | 58 | 22 | 16 | 40 |
| M56 | 125 | 8 | 326.63 | 341.63 | 311.63 | 15 | 125 | 65 | 43 | 22 | 16 | 40 |
| M56 | 125 | 10 | 404.51 | 419.51 | 389.51 | 15 | 145 | 80 | 58 | 22 | 16 | 40 |
| M56 | 125 | 12 | 482.96 | 497.96 | 467.96 | 15 | 145 | 75 | 53 | 22 | 16 | 40 |
| M56 | 160 | 8 | 418.09 | 433.09 | 403.09 | 15 | 145 | 80 | 58 | 22 | 16 | 40 |
| M56 | 160 | 10 | 517.77 | 532.77 | 502.77 | 15 | 155 | 85 | 63 | 22 | 16 | 40 |
| M56 | 160 | 12 | 618.19 | 633.19 | 603.19 | 15 | 165 | 90 | 68 | 22 | 16 | 40 |
| M80 | 80 | 8 | 209.05 | 227.05 | 191.05 | 18 | 90 | 50 | 25 | 25 | 18 | 30 |
| M80 | 80 | 10 | 258.89 | 276.89 | 240.89 | 18 | 110 | 60 | 35 | 25 | 18 | 30 |
| M80 | 80 | 16 | 410.06 | 428.06 | 392.06 | 18 | 145 | 65 | 40 | 25 | 18 | 40 |
| M80 | 80 | 24 | 612.9 | 630.9 | 594.9 | 18 | 145 | 65 | 40 | 25 | 18 | 40 |
| M80 | 100 | 8 | 261.31 | 279.31 | 243.31 | 18 | 110 | 60 | 35 | 25 | 18 | 30 |
| M80 | 100 | 10 | 323.61 | 341.61 | 305.61 | 18 | 125 | 65 | 40 | 25 | 18 | 40 |
| M80 | 100 | 12 | 386.37 | 404.37 | 368.37 | 18 | 135 | 70 | 45 | 25 | 18 | 40 |
| M80 | 100 | 16 | 512.58 | 530.58 | 494.58 | 18 | 145 | 70 | 45 | 25 | 18 | 40 |
| M80 | 125 | 8 | 326.63 | 344.63 | 308.63 | 18 | 125 | 65 | 40 | 25 | 18 | 40 |
| M80 | 125 | 10 | 404.51 | 422.51 | 386.51 | 18 | 145 | 80 | 55 | 25 | 18 | 40 |
| M80 | 125 | 12 | 482.96 | 500.96 | 464.96 | 18 | 145 | 75 | 50 | 25 | 18 | 40 |
| M80 | 160 | 8 | 418.09 | 436.09 | 400.09 | 18 | 145 | 80 | 55 | 25 | 18 | 40 |
| M80 | 160 | 10 | 517.77 | 535.77 | 499.77 | 18 | 155 | 85 | 60 | 25 | 18 | 40 |
| M80 | 160 | 12 | 618.19 | 636.19 | 600.19 | 18 | 165 | 90 | 65 | 25 | 18 | 40 |
| M80 | 200 | 8 | 522.62 | 540.62 | 504.62 | 18 | 155 | 85 | 60 | 25 | 18 | 40 |
| M80 | 200 | 10 | 647.22 | 665.22 | 629.22 | 18 | 165 | 90 | 65 | 25 | 18 | 40 |
| M80 | 200 | 12 | 772.74 | 790.74 | 754.74 | 18 | 180 | 100 | 75 | 25 | 18 | 50 |
| M112 | 80 | 8 | 209.05 | 230.05 | 188.05 | 21 | 90 | 50 | 21 | 29 | 21 | 30 |
| M112 | 80 | 10 | 258.59 | 279.59 | 237.59 | 21 | 110 | 60 | 31 | 29 | 21 | 30 |
| M112 | 80 | 16 | 410.06 | 431.06 | 389.06 | 21 | 125 | 80 | 51 | 29 | 21 | 40 |
| M112 | 80 | 24 | 612.9 | 633.9 | 591.9 | 21 | 145 | 90 | 61 | 29 | 21 | 40 |
| M112 | 100 | 8 | 261.31 | 282.31 | 240.31 | 21 | 110 | 60 | 31 | 29 | 21 | 40 |
| M112 | 100 | 10 | 323.61 | 344.61 | 302.61 | 21 | 125 | 70 | 41 | 29 | 21 | 40 |
| M112 | 100 | 12 | 386.37 | 407.37 | 365.37 | 21 | 135 | 75 | 46 | 29 | 21 | 40 |
| M112 | 100 | 16 | 512.58 | 533.58 | 491.58 | 21 | 145 | 80 | 51 | 29 | 21 | 40 |
| M112 | 125 | 8 | 326.63 | 347.63 | 305.63 | 21 | 125 | 70 | 41 | 29 | 21 | 40 |
| M112 | 125 | 10 | 404.51 | 425.51 | 383.51 | 21 | 140 | 75 | 46 | 29 | 21 | 40 |
| M112 | 125 | 12 | 482.96 | 503.96 | 461.96 | 21 | 140 | 80 | 51 | 29 | 21 | 40 |

* Continued

| ISO Nr | Chain Pitch [mm] | z No. of teeth [pieces] | Dd [mm] | Da1 Outside [mm] | Da2 Tooth bottom dia [mm] | Bush dia [mm] | Dn Hub dia [mm] | Ln1 Total width [mm] | Ln2 Hub width [mm] | Z1 Plate thickness [mm] | Z2 Tooth peak width [mm] | Pre bore [mm] |
|--------|------------------|-------------------------|---------|------------------|---------------------------|---------------|-----------------|----------------------|--------------------|-------------------------|--------------------------|---------------|
| M112 | 160 | 8 | 418.09 | 439.09 | 397.09 | 21 | 145 | 75 | 46 | 29 | 21 | 40 |
| M112 | 160 | 10 | 517.77 | 538.77 | 496.77 | 21 | 155 | 80 | 51 | 29 | 21 | 40 |
| M112 | 160 | 12 | 618.19 | 639.19 | 597.19 | 21 | 165 | 85 | 56 | 29 | 21 | 40 |
| M112 | 200 | 8 | 522.62 | 543.62 | 501.62 | 21 | 155 | 80 | 51 | 29 | 21 | 40 |
| M112 | 200 | 10 | 647.22 | 668.22 | 626.22 | 21 | 165 | 85 | 56 | 29 | 21 | 40 |
| M112 | 200 | 12 | 772.74 | 793.74 | 751.74 | 21 | 180 | 95 | 66 | 29 | 21 | 50 |
| M160 | 100 | 8 | 261.31 | 286.31 | 236.31 | 25 | 110 | 60 | 26 | 34 | 24 | 40 |
| M160 | 100 | 10 | 326.61 | 351.61 | 301.61 | 25 | 120 | 65 | 31 | 34 | 24 | 40 |
| M160 | 100 | 12 | 386.37 | 411.37 | 361.37 | 25 | 130 | 70 | 36 | 34 | 24 | 40 |
| M160 | 100 | 16 | 512.58 | 537.58 | 487.58 | 25 | 155 | 85 | 51 | 34 | 24 | 40 |
| M160 | 125 | 8 | 326.63 | 351.63 | 301.63 | 25 | 120 | 65 | 31 | 34 | 24 | 40 |
| M160 | 125 | 10 | 404.51 | 429.51 | 379.51 | 25 | 130 | 70 | 36 | 34 | 24 | 40 |
| M160 | 125 | 12 | 482.96 | 507.96 | 457.96 | 25 | 140 | 80 | 46 | 34 | 24 | 40 |
| M160 | 160 | 8 | 418.09 | 443.09 | 393.09 | 25 | 145 | 80 | 46 | 34 | 24 | 40 |
| M160 | 160 | 10 | 517.77 | 542.77 | 492.77 | 25 | 155 | 85 | 51 | 34 | 24 | 40 |
| M160 | 160 | 12 | 618.19 | 643.19 | 593.19 | 25 | 165 | 90 | 56 | 34 | 24 | 40 |
| M160 | 200 | 8 | 522.62 | 547.62 | 497.62 | 25 | 155 | 85 | 51 | 34 | 24 | 40 |
| M160 | 200 | 10 | 647.22 | 672.22 | 622.22 | 25 | 165 | 90 | 56 | 34 | 24 | 40 |
| M160 | 200 | 12 | 772.74 | 797.74 | 747.74 | 25 | 180 | 100 | 66 | 34 | 24 | 50 |
| M160 | 250 | 8 | 653.27 | 678.27 | 628.27 | 25 | 165 | 90 | 56 | 34 | 24 | 40 |
| M160 | 250 | 10 | 809.02 | 834.02 | 784.02 | 25 | 190 | 105 | 71 | 34 | 24 | 50 |
| M160 | 250 | 12 | 965.92 | 990.92 | 940.92 | 25 | 215 | 120 | 86 | 34 | 24 | 50 |
| M224 | 125 | 8 | 326.63 | 356.63 | 296.63 | 30 | 120 | 65 | 26 | 39 | 28 | 40 |
| M224 | 125 | 10 | 404.51 | 434.51 | 374.51 | 30 | 130 | 70 | 31 | 39 | 28 | 40 |
| M224 | 125 | 12 | 482.96 | 512.96 | 452.96 | 30 | 140 | 80 | 41 | 39 | 28 | 40 |
| M224 | 160 | 8 | 418.09 | 448.09 | 388.09 | 30 | 145 | 80 | 41 | 39 | 28 | 40 |
| M224 | 160 | 10 | 517.77 | 547.77 | 487.77 | 30 | 155 | 85 | 46 | 39 | 28 | 40 |
| M224 | 160 | 12 | 618.19 | 648.19 | 588.19 | 30 | 165 | 90 | 51 | 39 | 28 | 40 |
| M224 | 200 | 8 | 522.62 | 552.62 | 492.62 | 30 | 155 | 85 | 46 | 39 | 28 | 40 |
| M224 | 200 | 10 | 647.22 | 677.22 | 617.22 | 30 | 165 | 90 | 51 | 39 | 28 | 40 |
| M224 | 200 | 12 | 772.74 | 802.74 | 742.74 | 30 | 180 | 100 | 61 | 39 | 28 | 50 |
| M224 | 250 | 8 | 653.27 | 683.27 | 623.27 | 30 | 165 | 90 | 51 | 39 | 28 | 40 |
| M224 | 250 | 10 | 809.02 | 839.02 | 779.02 | 30 | 190 | 105 | 66 | 39 | 28 | 50 |
| M224 | 250 | 12 | 965.92 | 995.92 | 935.92 | 30 | 215 | 120 | 81 | 39 | 28 | 50 |
| M315 | 160 | 8 | 418.09 | 454.09 | 382.09 | 36 | 200 | 115 | 71 | 44 | 31 | 50 |
| M315 | 160 | 10 | 517.77 | 553.77 | 481.77 | 36 | 200 | 115 | 71 | 44 | 31 | 60 |
| M315 | 160 | 12 | 618.19 | 654.19 | 582.19 | 36 | 210 | 115 | 71 | 44 | 31 | 60 |
| M315 | 200 | 8 | 522.62 | 558.62 | 486.62 | 36 | 200 | 115 | 71 | 44 | 31 | 50 |
| M315 | 200 | 10 | 647.22 | 683.22 | 611.22 | 36 | 200 | 115 | 71 | 44 | 31 | 60 |
| M315 | 200 | 12 | 772.74 | 808.74 | 736.74 | 36 | 210 | 115 | 71 | 44 | 31 | 60 |
| M315 | 250 | 8 | 653.27 | 689.27 | 617.27 | 36 | 210 | 115 | 71 | 44 | 31 | 60 |
| M315 | 250 | 10 | 809.02 | 845.02 | 773.02 | 36 | 210 | 115 | 71 | 44 | 31 | 60 |
| M315 | 250 | 12 | 965.92 | 1001.92 | 929.92 | 36 | 225 | 125 | 81 | 44 | 31 | 60 |

Gears, Racks And Others

MTD offers a wide range of electrical and mechanical power transmission products from industry leading suppliers. We locally stock the power transmission products you need to keep your operation running smoothly.



Spur Gears

A spur gear is a gear that transmits power between two parallel axes and is the most common type of gear. Because the tooth surface is parallel to the axis of rotation, a spur gear does not generate axial thrust during operation. Additionally, spur gears are easy to manufacture, which allows for the production of highly precise gears.



Bevel Gears

A bevel gear is a type of gear used in machinery to transmit power and motion between intersecting shafts. It has a conical shape and the teeth are cut at an angle to the gear's axis. The angle of the teeth is typically 90 degrees but can vary based on the application.



Chain Couplings

Chain coupling is a coupling that composed of two rows of roller chains and two sprockets that engaged with them. One end of the chain is equipped with a joint pin which can be inserted or pulled out freely. It helps to simplify the connection and disassembly. Along the direction that perpendicular to the shaft, the cover can be separated into two parts. V-grooves are set on both sides of the cover of KC3012-KC8022, and O-rings are installed to prevent oil leakage.



Racks

MTD offers any cross-section up to module 20 with metric or module pitch, with helical or straight gears. The maximum single piece length is 3000mm, multi-piece butt jointed rails for longer lengths are warranted. Straight-toothed gear racks are available in standard industrial sizes from module 2 to module 12. The material, hardness, and accuracy determine the respective load.



Idler Sprockets

An idler sprocket is a type of sprocket that is used in power transmission systems to maintain tension in a chain or belt drive. It is a free-spinning sprocket that is not connected to any power source, but is instead used to guide and support the chain or belt, preventing it from becoming slack or coming off the drive sprocket.



Special Products To Drawing

Benefit from our decades of international experience in sourcing an almost unlimited selection of special parts, manufactured to drawing.

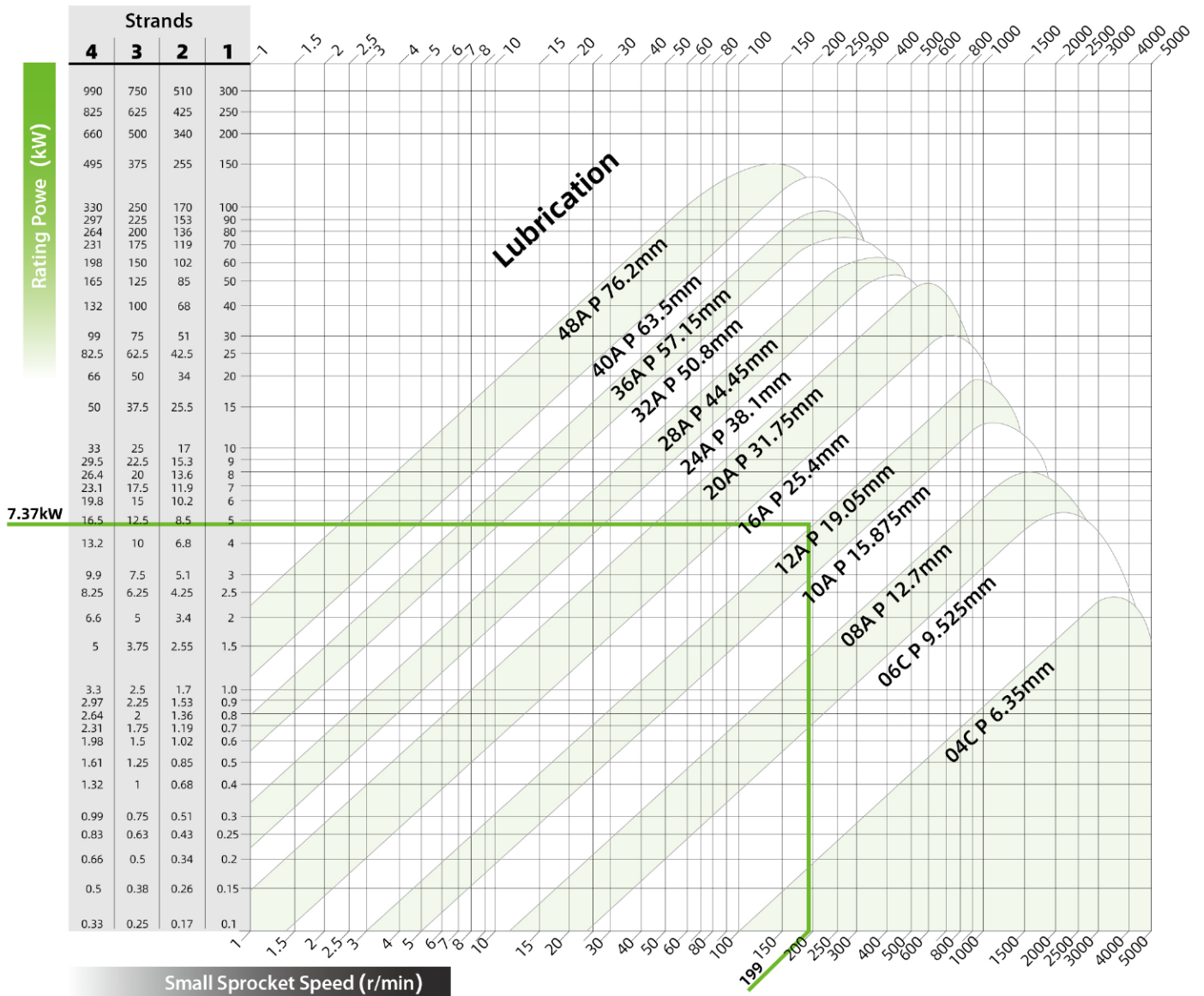
We supply turned and milled parts, cold and hot forged, pressed or laser cut. Made of all common materials and with almost all possible surface treatments.

Our engineers and our team will be pleased to assist you comprehensively from development to delivery. MTD has been a reliable partner in numerous key industries for many years.



(A Series Roller Chain) Power Rating Graph

For drive Zs=19
 Chain length: 120 pitches
 Transmission ratio: 1 : 3 to 3 : 1
 Service life of chain: 15000 hours



■ Note: The rating power of multiple strand chain can be obtained by multiplying the strand factor by the rating power of single strand chain.

| Number Of Strand | 1 | 2 | 3 | 4 | 5 | 6 |
|------------------|-----|-----|-----|-----|-----|-----|
| Factor | 1.0 | 1.7 | 2.5 | 3.3 | 4.1 | 4.9 |

(B Series Roller Chain) Power Rating Graph

For drive Zs=19

Chain length: 120 pitches

Transmission ratio: 1 : 3 to 3 : 1

Service life of chain: 15000 hours

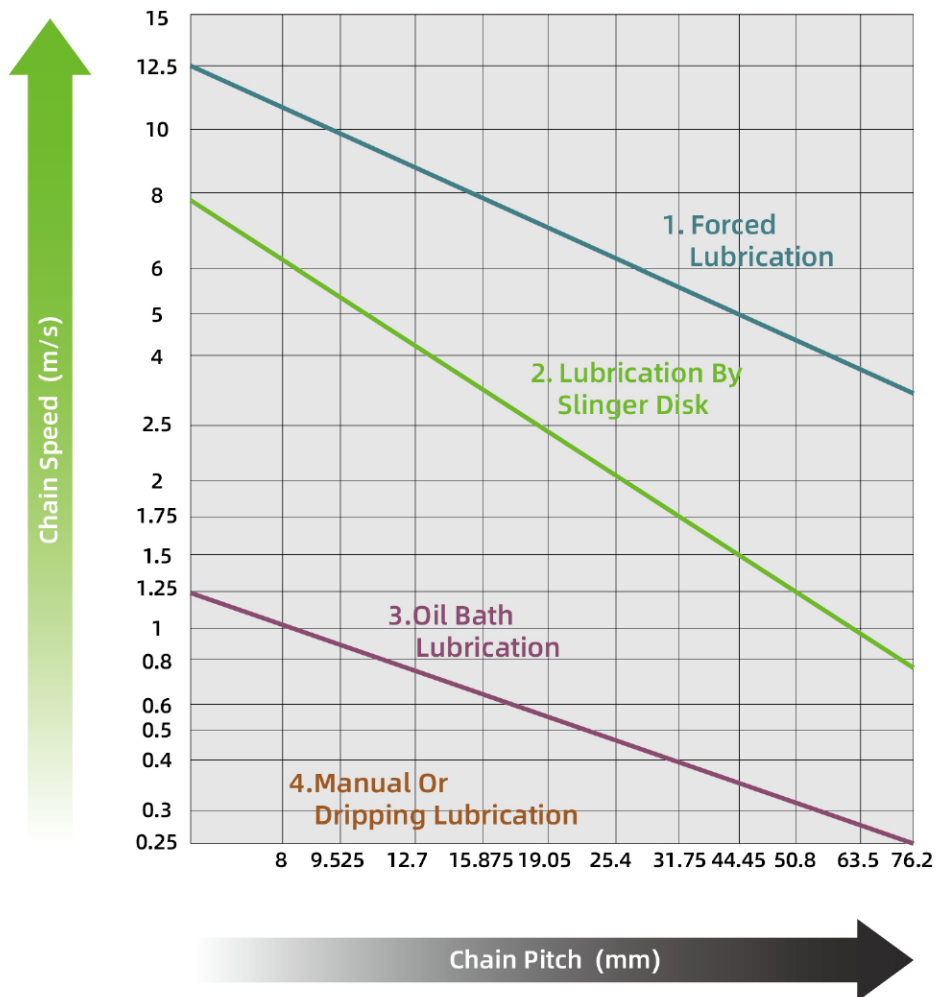


■ Note: The rating power of multiple strand chain can be obtained by multiplying the strand factor by the rating power of single strand chain.

| Number Of Strand | 1 | 2 | 3 | 4 | 5 | 6 |
|------------------|-----|-----|-----|-----|-----|-----|
| Factor | 1.0 | 1.7 | 2.5 | 3.3 | 4.1 | 4.9 |

Selection Of Lubrication

| | |
|---|--|
| Influence of working environment | For open drive such as combine chain, swather chain etc., grease lubrication is recommended. For closed drive such as walking tractor chain transmission case etc., oil lubrication is recommended. |
| Influence of temperature | Application in the temperature range of -5°C to + 60°C is recommended. In winter, Lower viscosity oil is recommended; But in summer, higher viscosity oil is recommended. |
| Influence of chain speed | The lubrication method is related to chain speed. Refer to the following chart for details, please. |





Inspection And Maintenance

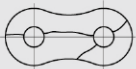

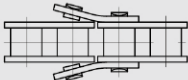

In order to run the chain transmission system normally, the chain transmission parts must be properly and timely maintained. The choice of shafts, bearings, chain and sprockets, as well as the type of lubrication and the installation of the drive must be all correct. At the same time, an effective and regular maintenance system shall be established to ensure the smooth functioning and maximum lifespan of the drive and its parts.

| | |
|----|--|
| 1. | Effective and correct lubrication of the transmission drive |
| 2. | No interferences or obstructions in the transmission drive |
| 3. | Damaged chain or sprockets must be replaced immediately |
| 4. | Seriously worn-out chain or sprockets must be replaced immediately |
| 5. | The sprockets must be aligned |
| 6. | The chain must be properly stretched (tensioned) |
| 7. | Protection casings and devices shall be in good condition and properly installed |

■ The chain drive shall be inspected after the first 50 hours of operation.

After that, for chain drives subject to severe shock loading or poor working conditions, the inspection should be performed after 500 hours of operation.

Troubleshooting Guide

| Description | Possible Reasons | Suggested Solution |
|---|--|--|
| Excessive noise | <ul style="list-style-type: none"> • Drive has obstruction • Loose casing or shaft mounts • Excessive chain slack • Excessive chain wear • Excessive sprocket wear • Sprocket misalignment • Inadequate lubrication • Chain pitch is too large • Too few sprocket teeth | <ul style="list-style-type: none"> • Inspect and remove obstruction. Replace chain if necessary • Tighten fasteners • Re-tension chain • Replace chain • Inspect chain for damage and replace sprockets • Inspect chain and sprockets for damage and re-align sprockets and shafts • Inspect chain. Clean and establish correct lubrication • Redesign the drive using a smaller chain pitch (multiple strands), if possible • Check to see if larger sprockets can be used. If not, redesign drive using a smaller chain pitch (multiple strands), if possible |
| Wear on roller link plates and on one side of the sprocket tooth surface | <ul style="list-style-type: none"> • Sprocket misalignment | <ul style="list-style-type: none"> • Inspect chain and sprockets for damage and re-align sprockets and shafts |
| Chain sticks to sprocket teeth | <ul style="list-style-type: none"> • Excessive sprocket wear • Sprocket misalignment | <ul style="list-style-type: none"> • Inspect chain for damage and replace sprockets • Inspect chain and sprockets for damage and re-align sprockets and shafts |
| Chain climbs the sprocket teeth | <ul style="list-style-type: none"> • Excessive chain slack • Excessive chain wear • Excessive sprocket wear • Extreme overload | <ul style="list-style-type: none"> • Re-tension chain • Replace chain • Inspect chain for damage and replace sprockets • Inspect the drive. Replace chain and eliminate the cause of overload |
| Flaw on chain plate (Stress Corrosion Cracking)  | <ul style="list-style-type: none"> • Exposure to severe corrosion in combination with high interference fits • Hydrogen embrittlement from improper plating of chain | <ul style="list-style-type: none"> • Protect the chain from corrosion or use stainless steel products • Never plate chains. Order plated chain from SFR |
| Sidebar breaking (Fatigue failure)  | <ul style="list-style-type: none"> • Loading is greater than the chain's dynamic capacity | <ul style="list-style-type: none"> • Inspect the drive to determine the cause of high load and eliminate if possible. Redesign the drive using a higher-capacity chain if the cause of high load cannot be eliminated |
| Pin failure  | <ul style="list-style-type: none"> • Extreme overload • Inadequate lubrication | <ul style="list-style-type: none"> • Replace chain and inspect all drive components for damage. Replace damaged components and eliminate the cause of overload • Replace chain and lubricate properly |
| Link plate fails (Ultimate Strength Failure)  | <ul style="list-style-type: none"> • Extreme overload • Drive has obstruction | <ul style="list-style-type: none"> • Replace chain and inspect all drive components for damage. Replace damaged components and eliminate the cause of overload • Inspect and remove obstruction. Replace chain if necessary |

The logo for the official distributor, featuring the text "Official Distributor" in a bold, black, sans-serif font. The text is positioned to the left of a white rectangular area that serves as a placeholder for a logo or image. The background of the entire page is a dark grey, semi-transparent image of a metal drive shaft assembly, with green and grey geometric shapes overlaid.

**Official
Distributor**

Office

Room 707, Mansion 10, Greenland Square,
Gongsu, Hangzhou, CN(310005)

Factory

No.22, Sanjiang East Road, Doumen Street,
Yuecheng, Shaoxing, CN

Telephone

0086-571-87819707

Wechat / WhatsApp

0086-136 0650 7028

E-mail

sales@metaldrives.com